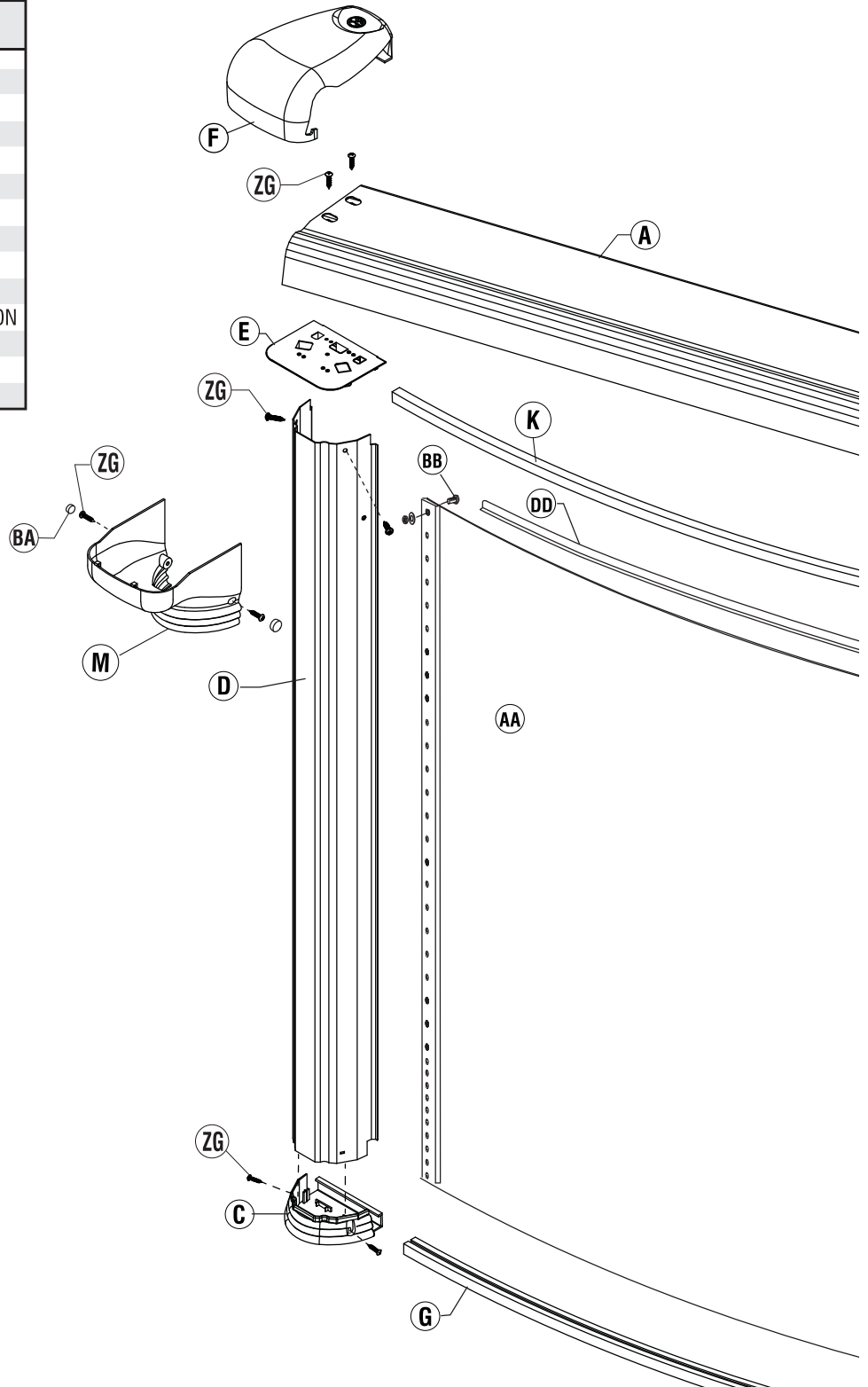


PARTS LIST

PARTS	DESCRIPTION
AA	POOL WALL
BB	BOLT - NUT FOR WALL
A	LEDGE
C	BOTTOM CONNECTOR
D	UPRIGHT
E	TOP CONNECTOR
F	TOP CAP
G	BOTTOM TRACK
K	TOP TRACK
M	CAP EXTENSION ROUND SECTION
DD	COPING (optional)
ZG	GOLD SCREW
BA	BOLT CAP COVER



BB

ZG

