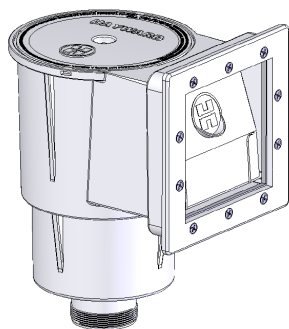


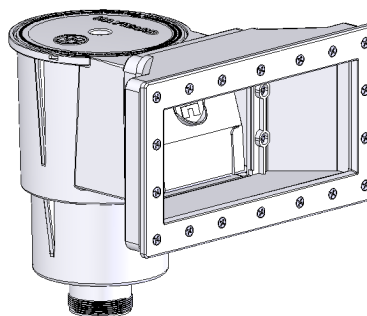
OWNER'S MANUAL

INSTALLATION, OPERATION, & PARTS

SP1091 SERIES DYNA-SKIM™ AUTOMATIC SKIMMER AND HYDROSTREAM RECIRCULATION SYSTEM



SP1091LX



SP1091WM

Your new Hayward Thru-Wall Skimmer makes pool maintenance easier and more convenient. Leaves, insects and floating debris are pulled from the pool into the skimmer basket. Clean the basket regularly to keep your pool sparkling clean and sanitary.

Basic safety precautions should always be followed, including the following: Failure to follow instructions can cause severe injury and/or death.

! This is the safety-alert symbol. When you see this symbol on your equipment or in this manual, look for one of the following signal words and be alert to the potential for personal injury.

! WARNING warns about hazards that **could** cause serious personal injury, death or major property damage and if ignored presents a potential hazard.

! CAUTION warns about hazards that **will** or **can** cause minor or moderate personal injury and/or property damage and if ignored presents a potential hazard. It can also make consumers aware of actions that are unpredictable and unsafe.

The **NOTICE** label indicates special instructions that are important but not related to hazards.

MAXIMUM RECOMMENDED SYSTEM FLOW RATE BY PIPE SIZE

Pipe Size	Flow rate	Pipe Size	Flow rate	Pipe Size	Flow rate
[mm]	GPM [Liter/Min]	[mm]	GPM [Liter/Min]	[mm]	GPM [Liter/Min]
1"	20	1 ½"	45	2 ½"	110
[32]	[75]	[50]	[170]	[75]	[415]
1 ¼"	30	2"	80	3"	160
[40]	[110]	[63]	[300]	[90]	[600]

USE ONLY HAYWARD GENUINE REPLACEMENT PARTS



! - WARNING - Read and follow all instructions in this owner's manual and on the equipment. Failure to follow instructions can cause severe injury and/or death.

IMPORTANT SAFETY INSTRUCTIONS

! WARNING – Suction Entrapment Hazard.



Suction in suction outlets and/or suction outlet covers which are damaged, broken, cracked, missing, or unsecured can cause severe injury or death due to the following entrapment hazards:

Hair Entrapment- Hair becomes knotted or snagged in an outlet cover.



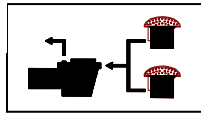
Limb Entrapment- A limb sucked or inserted into an opening of a circulation outlet with a broken or missing cover in the pool resulting in a mechanical bind or swelling

Body Suction Entrapment- Suction applied to a large portion of the body or limbs resulting in an entrapment.



Evisceration/ Disembowelment Entrapment- Suction applied directly to the intestines through an unprotected sump or suction outlet with a missing or broken cover.

Mechanical Entrapment- Potential for jewelry, swimsuit, hair decorations, finger, toe or knuckle to be caught in an opening of an outlet or cover.



To Reduce the risk of Entrapment Hazards:

- o A minimum of two functioning suction outlets per pump must be installed. Suction outlets in the same plane (i.e. floor or wall), must be installed a minimum of three feet (3') [1 meter] apart, as measured from suction center line to suction center line.
- o Dual suction fittings shall be placed in such locations and distances to avoid “dual blockage” by a user.
- o Dual suction fittings shall not be located on seating areas or on the backrest for such seating areas.
- o The maximum system flow rate shall not exceed the flow rating of any listed (per ASME/ANSI A112.19.8M-1987, ASME A112.19.8-2007) suction outlet cover installed.
- o Never use a Pool or Spa if any suction outlet component is damaged, broken, cracked, missing, or not securely attached.
- o Replace damaged, broken, cracked, missing, or not securely attached suction outlet components immediately.
- o Two or more suction outlets per pump should be installed in accordance with latest APSP Standards and CPSC guidelines, follow all National, State, and Local codes applicable.
- o Installation of a vacuum release system, which relieves entrapping suction, is recommended.

POOL PREPARATION

Fill the pool with approximately two (2) feet of water so the liner is under weight and stretched to the proper position prior to installing the skimmer.

Note: The liner cannot be shifted after the skimmer and return holes have been cut.

SKIMMER ASSEMBLY

1. If the SP1091E, Wide mouth extension, is not installed on the body, it must be assembled to the body prior to attempting to install the skimmer in the pool.
2. To install the wide mouth extension, insert four (4) pan head screws 1” long through the lip of the extension and four (4) through the throat of the skimmer. Place the gasket between the extension and the skimmer body. Firmly tighten the screws.

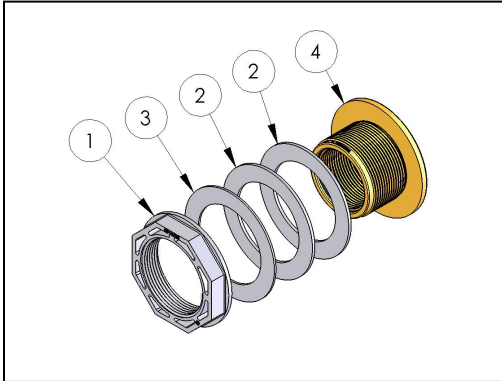
SKIMMER INSTALLATION

1. From the outside of the pool install the face-plate double gasket at skimmer cutout in the wall. Reach over the top rail of the pool and carefully press the face-plate and liner against the gasket and skimmer cutout in the wall. Punch out the two top corner holes using a blunt object. Insert two self-threading flat head screws (provided) into the top corner holes of the face-plate.
2. Carefully push the screws through the holes that have been pierced in the liner and through the double gasket. From the outside of the pool, align the skimmer body with these screws. Lightly tighten the two screws.
3. Using a blunt object, pierce the remaining holes in the liner. Insert and lightly tighten the remaining flat head screws through the face-plate, liner, gasket and into the corresponding holes on the skimmer. Firmly tighten all screws evenly, alternately left and right, top and bottom.
4. Using the skimmer face plate as a guide, use a razor knife to trim only the liner, being careful not to the gasket, in the large skimmer opening.

USE ONLY HAYWARD GENUINE REPLACEMENT PARTS

RETURN FITTING INSTALLATION

1. The return fitting furnished with these skimmers is a SP1023. The hole required through the pool wall to install this fitting is 2.38±.03 inches. **DO NOT CUT THE LINER.**
2. Place one rubber gasket over the threads of the return fitting adapter and push the threaded end against the liner and through the return cutout in the wall.
3. Applying outward pressure to the return fitting cut and "X" in the center of the exposed liner from outside the pool. The return fitting will now be fully pressed against the liner and the wall on the inside of the pool. Using a razor knife, trim the excess liner material from around the fitting threads on the outside of the pool.
4. Place the second rubber gasket and then the cork gasket over the threads of the return fitting now exposed outside of the pool. Screw on the lock nut and tighten.
5. Screw on the adjustable directional ball fitting into the face of the return fitting from the outside of the pool. Position ball fitting opening away from skimmer opening. Do not over-tighten.



Note: On-going leaks from the skimmer or wall fittings may cause pool wall damage that eventually may result in pool wall failure.

RECOMMENDED WINTERIZING PROCEDURE

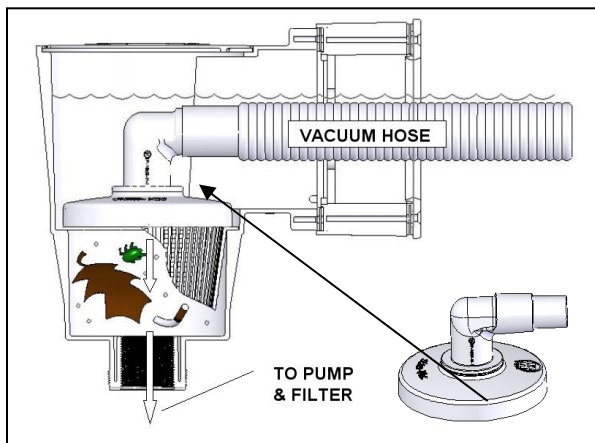
Drain pool level approximately six inches (6") below skimmer opening. Remove Hydrostream Eyeball fitting and securely plug wall fitting (1 1/2" threaded plugs are available from the dealer). Disconnect filter hoses from the skimmer and the wall fitting. Be sure that the skimmer is kept free of water accumulation. Warranty does not include damage caused by the formation of ice in the skimmer.

OPERATING INSTRUCTIONS**TO CLEAN SKIMMER BASKET**

Remove top cover; or fold weir forward and squeeze tabs toward center to remove weir. Remove and clean basket.

Deluxe Skim-Vac Accessory

SKIM-VAC attaches to vac hose and is inserted in skimmer over basket, allowing you to conveniently vacuum through the skimmer basket.

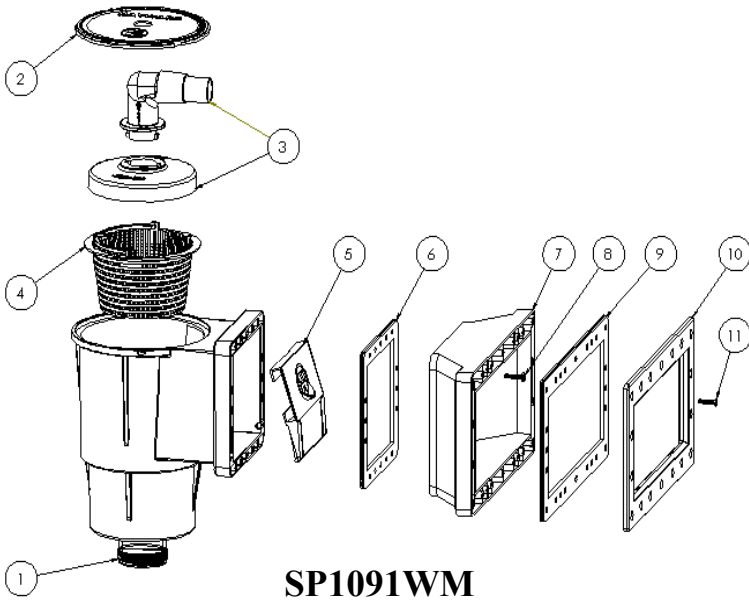


Note: Take care not to damage or scuff the SKIM-VAC's specially designed sealing surface.

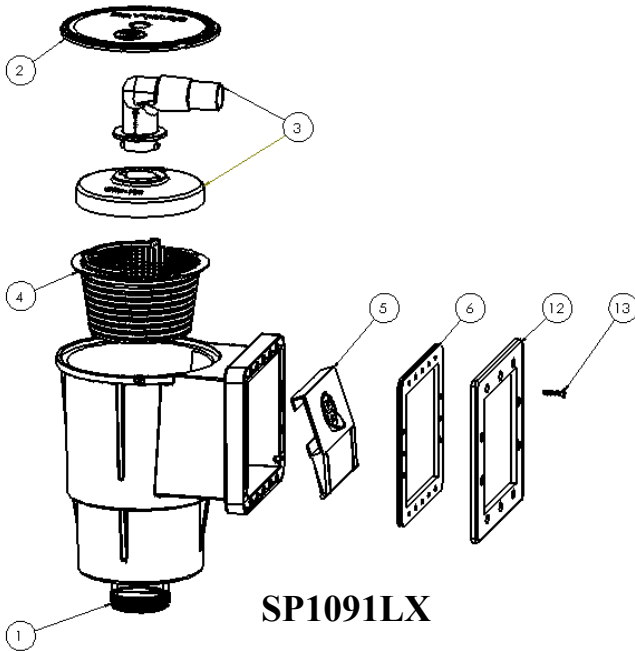
TO-VACUUM WITH SKIM-VAC

1. Remove weir from front of skimmer.
2. Attach vacuum hose to vac head and handle, and fill vacuum hose with water (place over pool inlet). Place SKIM-VAC over skimmer basket. Going through the skimmer opening in the pool wall, attach the vacuum hose to the SKIM-VAC hose adapter.
3. Hold SKIM-VAC in place until any air hose is evacuated by pump. Once air is removed, the pump suction will hold the SKIM-VAC firmly in place.

USE ONLY HAYWARD GENUINE REPLACEMENT PARTS



REF #	PART #	DESCRIPTION	NO. REQUIRED
1	-----	Skimmer Body (Not procurable as a part)	1
2	SPX1091B	Cover	1
3	SP11041	Skim Vac	1
4	SPX1091C	Basket w/ Handle	1
5	SPX1091K1	Weir	1
6	SPX1091G	Standard Butterfly Gasket	1
7	SPX1091E	Widemouth Extension	1
8	-----	Extension Screws (Procurable only with SPX1090Z7A)	1 Set (Included in Item #11)
9	SPX1091GW	Widemouth Butterfly Gasket	1
10	SPX1091F	Widemouth Face Plate	1
11	SPX1090Z7A	Face Plate Screw Pack (Includes screws for extension)	1 Set



REF #	PART #	DESCRIPTION	NO. REQUIRED
1	-----	Skimmer Body (Not procurable as a part)	1
2	SPX1091B	Cover	1
3	SP11041	Skim Vac	1
4	SPX1091C	Basket w/ Handle	1
5	SPX1091K1	Weir	1
6	SPX1091G	Standard Butterfly Gasket	1
12	SPX1091D	Face Plate	1
13	SPX1090Z6A	Face Plate Screw Pack	1 Set