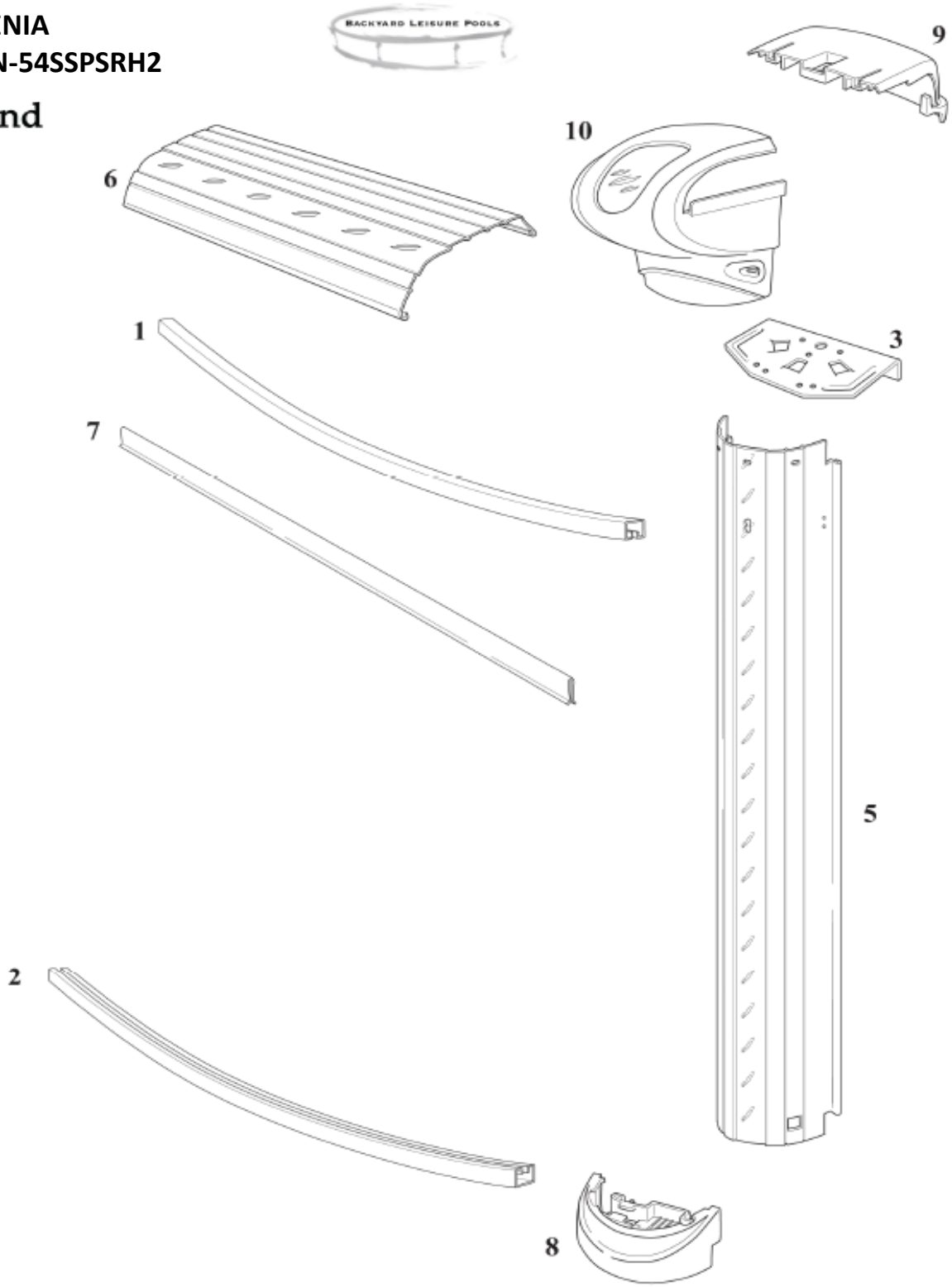


MELENIA
PMLN-54SSPSRH2

Round



Product Description:		Melenia										
Product Code		PMLN-54SSPSRH2										
Qty Required for Installation (by Size)												
Index #	Description	Part #	Length	8'	12'	15'	18'	21'	24'	27'	30'	33'
6	Top Rail	22067	27-1/4"	11								
6	Top Rail	22037	40-1/8"		11							
6	Top Rail	22040	55-13/16"			10	12	14	16	18	20	22
5	Upright	22045	53-5/8"	11	11	10	12	14	16	18	20	22
9	Top Cap Small Half Inner	22049	7"	11	11	10	12	14	16	18	20	22
10	Top Cap Large Half Outer Curved	22047	7"	11	11	10	12	14	16	18	20	22
7	Plastic Coping	10296	48"	7	9	12	14	16	19	21	24	25
3	Top Plate	22761	6"	11	11	10	12	14	16	18	20	22
8	Boot	22050	7"	11	11	10	12	14	16	18	20	22
1	Inner Stabilizer	38500	29-1/2"	11								
1	Inner Stabilizer	38501	42-5/8"		11							
1	Inner Stabilizer	38502	53-1/4"			11						
1	Inner Stabilizer	38503	54-1/8"				13					
1	Inner Stabilizer	38505	54-7/16"					15				
1	Inner Stabilizer	38506	52-1/4"						18			
1	Inner Stabilizer	38507	52-7/8"							20		
1	Inner Stabilizer	38509	51-1/4"								23	
1	Inner Stabilizer	38510	53-3/8"									24
2	Bottom Rail	18837	25-1/4"	11								
2	Bottom Rail	38736	38"		11							
2	Bottom Rail	38737	54-1/8"			10						
2	Bottom Rail	38738	54-7/16"				12					
2	Bottom Rail	38739	54-5/16"					14				
2	Bottom Rail	38740	54-1/8"						16			
2	Bottom Rail	38741	54-1/4"							18		
2	Bottom Rail	38742	54-1/4"								20	
2	Bottom Rail	38743	54-1/4"									22
*	Hardware Stainless Steel	44-10003		1	1	1						
*	Hardware Stainless Steel	44-10007					1	1				
*	Hardware Stainless Steel	44-10008							1			
*	Hardware Stainless Steel	44-10010								1		
*	Hardware Stainless Steel	44-10012									1	
*	Hardware Stainless Steel	44-10014										1
	Envelope Safety Stickers	95-0007		1	1	1	1	1	1	1	1	1
	Instructional DVD	36878		1	1	1	1	1	1	1	1	1

*May be pictured