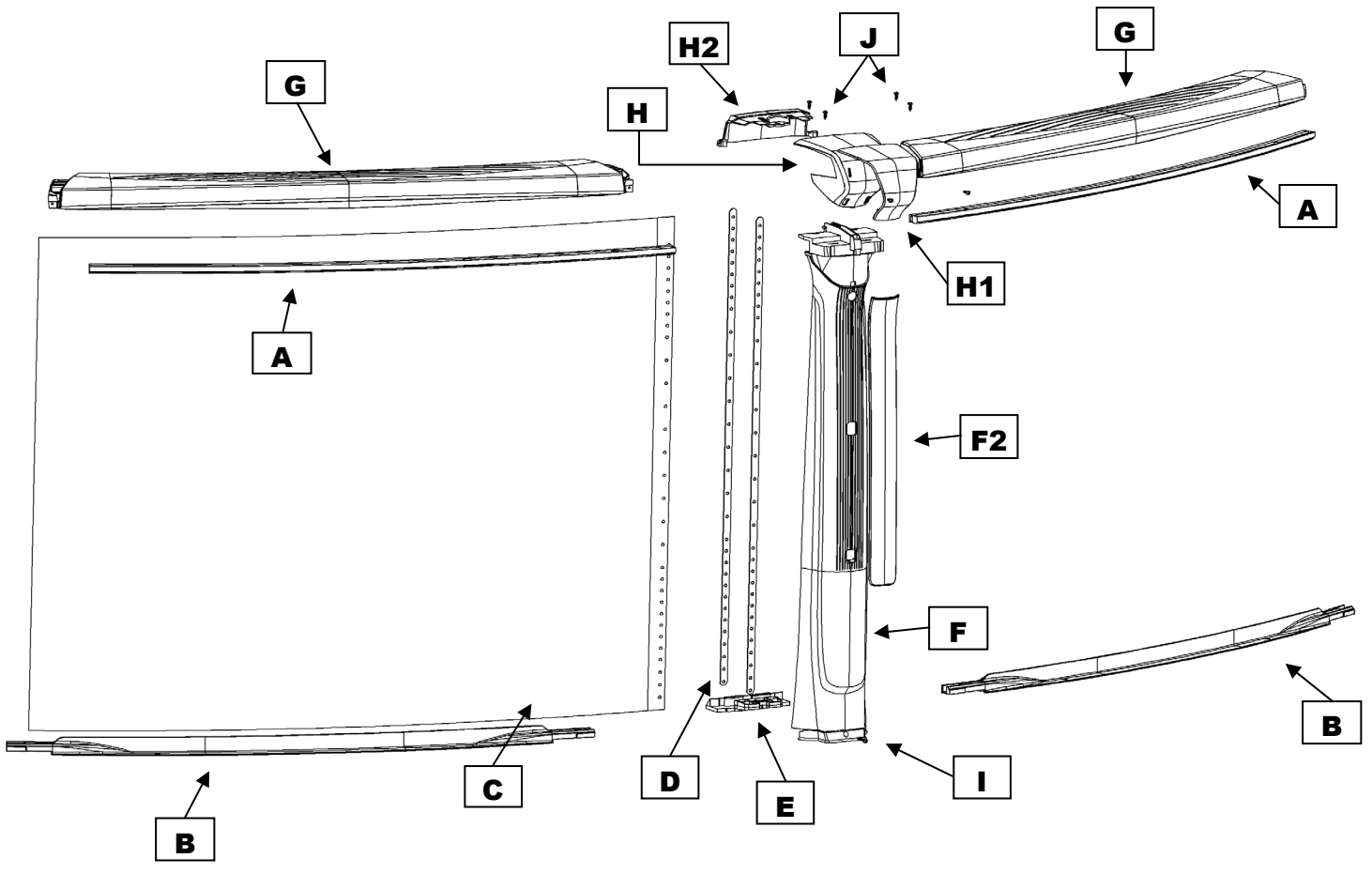
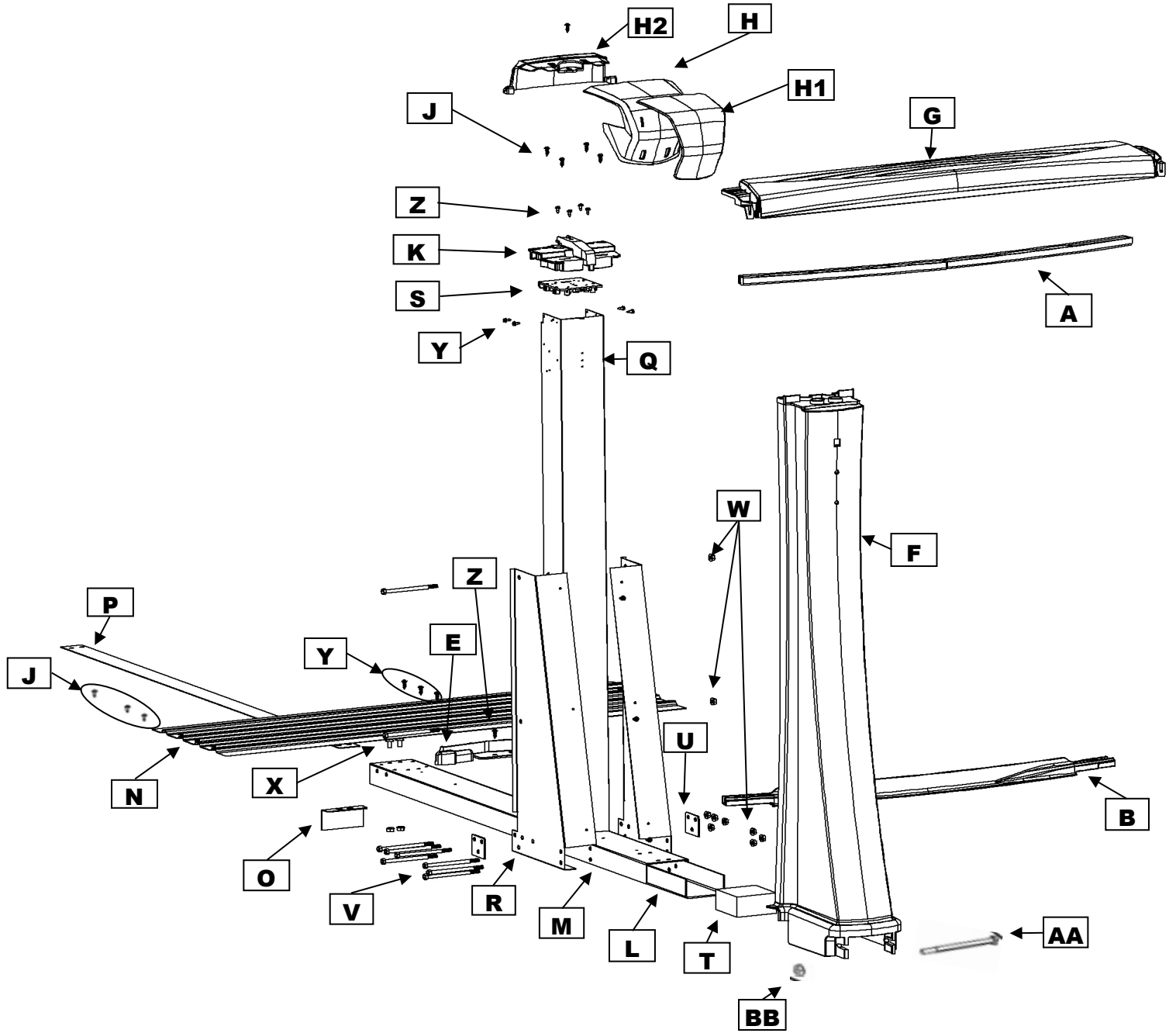


Aurora
PAUR-54RRRRRRR330
Round



Aurora
PAUR-YM54RRRRRR330
Yardmore
Straight Section



Product Description:**Aurora Oval**

Revised Sept 2019

Product Code:**PAUR-YM54RRRRRR330**

			Quantity required for installation (by pool size)		
Index #	Description	Part #	1526	1530	1833
A	Stabilizer (Round section)	1071507160000	8	8	10
A	Stabilizer (Straight section)	10747000042	4	6	6
A	Stabilizer-transition (End of straight section)	1071507160010	4	4	4
B	Bottom rail (Round section)	1081547000000	8	8	10
B	Bottom rail (Straight section)	10847000042	4	6	6
B	Bottom rail-transition (End of straight section right)	1081547000020	2	2	2
B	Bottom rail-transition (End of straight section left)	1081547000030	2	2	2
C	Resin wall		1	1	1
D	Steel bar	209031	2	2	2
E	Bottom plate	11207100000	10	10	12
E	Bottom plate (straight section)	10447000000	6	8	8
F1	Upright	10248440004	10	10	12
F2	Upright Insert	13057440010	10	10	12
F	Upright cover (straight section)	10248000004	6	8	8
G	Top ledge (regular)	10148360000	12	12	14
G	Top ledge (straight side section)	10148360042	4	6	6
H	Ledge cover	10348440000	10	10	12
H	Ledge cover oval	10348440001	6	8	8
H1	Ledge cover insert	13057440020	10	10	12
H1	Ledge cover oval insert	13057440010	6	8	8
H2	Ledge cover (inner)	10348440010	16	18	20
I	Stainless steel screw 12 x 1-1/2"	2PPS112	10	10	12
J	Stainless steel screw 12 x 3/4"	V12X34	134	154	168
K	Resin top plate	1040033A01	6	8	8
L	Under channel	15933	6	8	8
M	Steel strap end channel	16539	6	8	8
N	Steel pressure plate	16549	6	8	8
O	Oval channel end cap	22726	6	8	8
P	Strap 15'	16725	9	12	
P	Strap 18'	16726			12
Q	Straight side steel upright	22151	6	8	8
R	Right gusset	16375	6	8	8
R	Left gusset	16374	6	8	8
S	Metal top plate	10136R	6	8	8
T	Foam block	29917	6	8	8
U	Washer 3 holes	16663	12	16	16
V	Bolt 5" x 5/16 - 18	99-0073	60	80	80
W	Nut 5/16 - 18	99-0027	84	116	112
X	Screw 1/2" x 5/16 - 18	99-0026	24	36	32
Y	Screw 1/2" #10	99-0068	70	90	90
Z	Screw 1" #10	99-0070	40	56	50
AA	Bolt 5 1/2" x 1/4 - 20	2PCB520	6	8	8
BB	Nut 1/4 - 20	2FGS422	6	8	8
*	Hardware bag	1051526380	1		
*	Hardware bag	1051530380		1	

Product Description:**Aurora Oval**

Revised Sept 2019

Product Code:**PAUR-YM54RRRRRR330**

			Quantity required for installation (by pool size)		
Index #	Description	Part #	1526	1530	1833
*	Hardware bag	1051833380			1
**	Hardware bag for wall	1050000R54	1	1	1
***	Hardware bag	16720	1	2	2
***	Hardware bag	16722	1		
****	Hardware bag	10522116	1		
****	Hardware bag	22113		1	
****	Hardware bag	10522117			1
	Upright clip	6ADP10900A00	20	20	24
	Screw\Truss\Quadrex\1/4-20\7/8"\18-	B14X20X78	49	49	49
	Nut 1/4 - 20	2FGS422	49	49	49
	Installation DVD	SACWBI36875	1	1	1

* In the hardware bag you will find parts: #2PPS112 - #V12x34

** In the hardware bag for wall you will find parts: #99-0023 - #2FGS422

*** In the hardware bag you will find parts: #99-0073 - #99-0027 - #16663

**** In the hardware bag you will find parts: #99-0073 - #99-0027 - #2PCB520 - #99-0068 - #99-0026 - #99-0070 - #V12x34 - #:

F: This piece is composed of 10248440002 -13057440010 (insert)

H1 : This piece is composed of 10348440000 -13057440020 (insert)

H1 : This piece is composed of 10348440001 -13057440030 (insert) (Straight section)