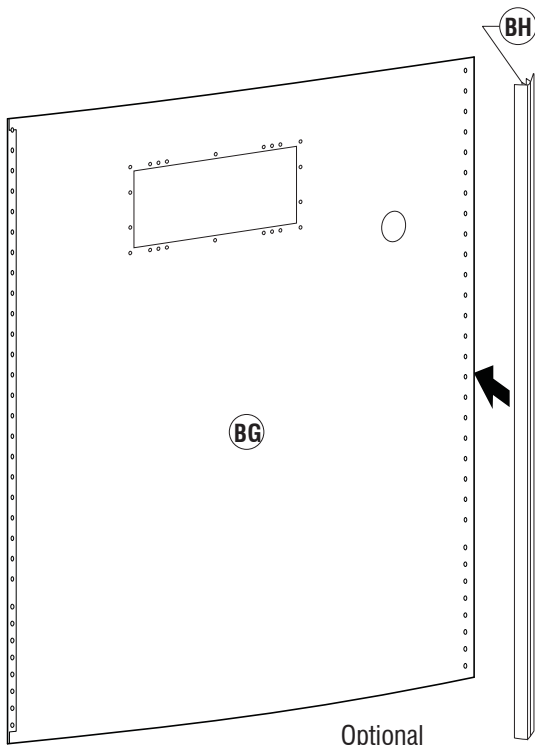
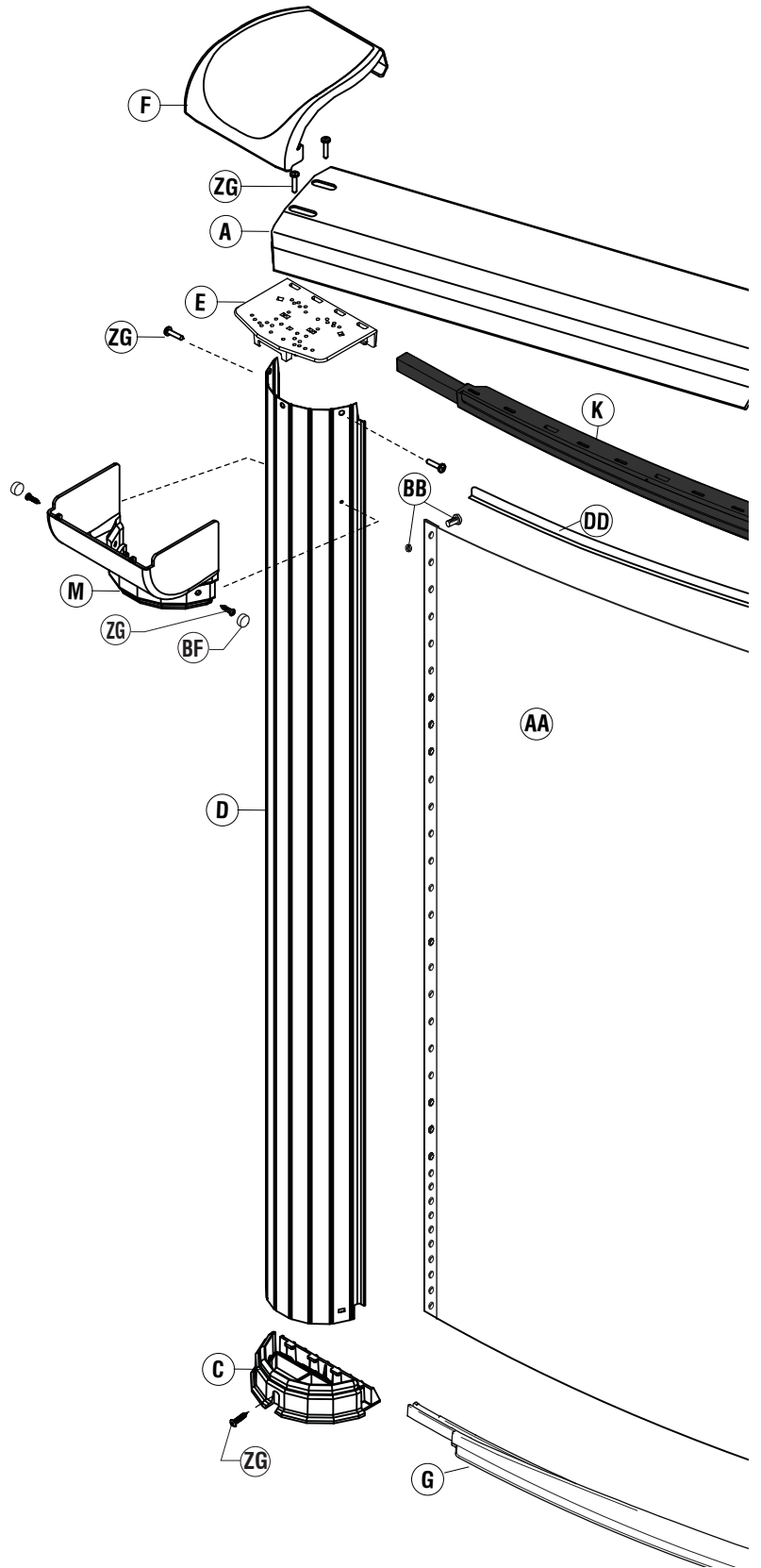
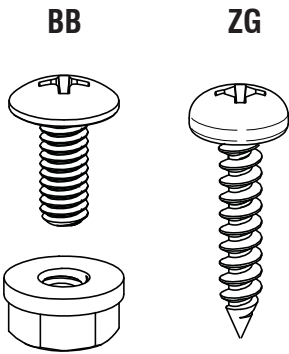


PARTS LIST

PARTS	DESCRIPTION
AA	POOL WALL
BB	BOLT - NUT FOR WALL
A	LEDGE
C	BOTTOM CONNECTOR
D	UPRIGHT
E	TOP CONNECTOR
F	TOP CAP
G	BOTTOM TRACK (LIGHT)
K	TOP TRACK (BLACK)
M	CAP EXTENSION ROUND SECTION
DD	COPING STRIPS
ZG	GOLD SCREW
BF	SCREW CAP COVER
BG	STAINLESS STEEL PANEL (OPTIONAL)
BH	BOLT CAP COVER EXTRUSION (OPTIONAL)



Optional