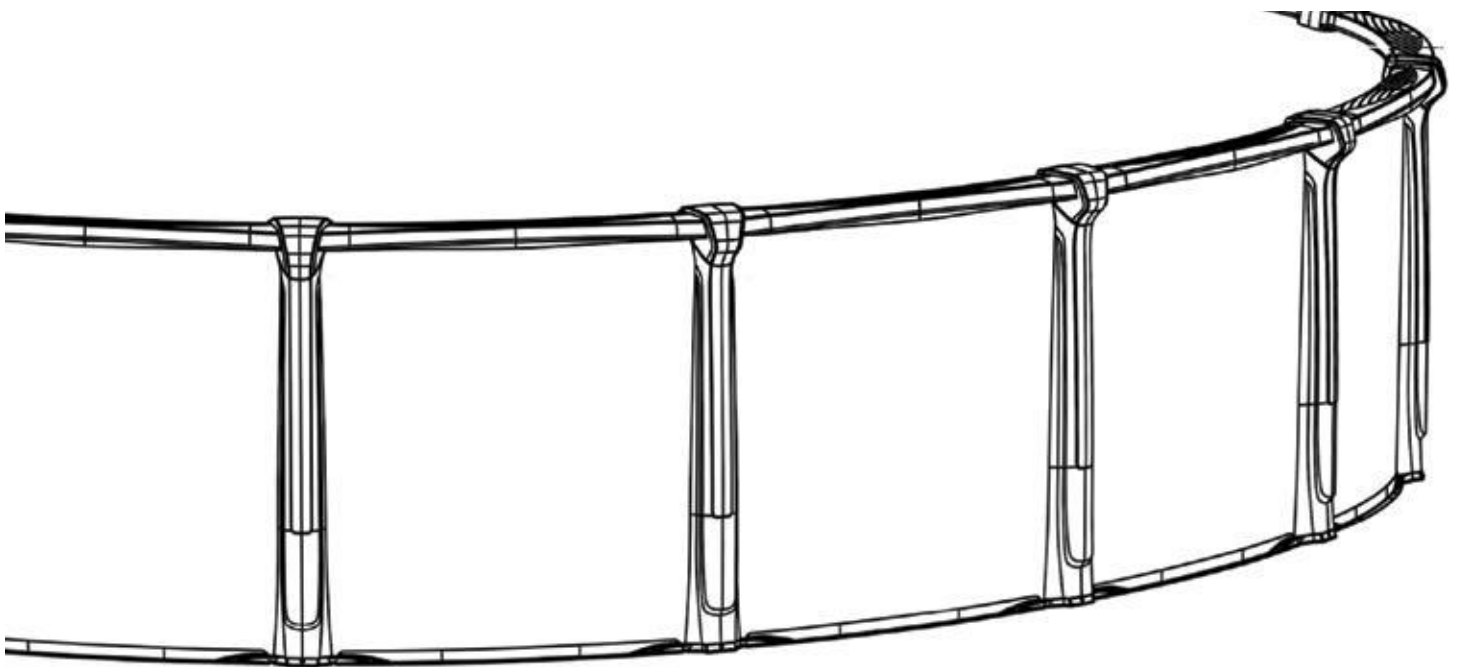


SALTWATER DEFENDER



ABOVE GROUND POOL OVAL INSTALLATION MANUAL

V350789

04.2026

ABOVE GROUND POOL SAFETY - PLEASE READ BEFORE INSTALLATION!



WARNING

Carefully read, understand and follow all information in this user manual before installing and using the swimming pool. These warnings, instructions and safety guidelines address some common risks of water recreation, but they cannot cover all risks and dangers in all cases. Always use caution, common sense and good judgment when enjoying any water activity. **RETAIN THIS INFORMATION FOR FUTURE USE.**

Your pool contains a large quantity of water, and is deep enough to present inherent dangers to life and health unless the following safety rules are strictly observed. First-time users run the highest risk of injury. Make sure everyone understands and encourage all users especially children to learn how to swim. Learn Basic Life Support (Cardiopulmonary Resuscitation-CPR) and refresh this knowledge regularly. Instruct all pool users, including children, what to do in case of an emergency. Keep a working phone and a list of emergency phone numbers near the pool. This can make a life-saving difference in the event of an emergency. To ensure your pool is used safely you **MUST** observe the following safety precautions:

SAFETY RECOMMENDATIONS

Make sure everyone using your swimming pool is aware of these recommendations and follows them.

- 1. NEVER JUMP AND DIVE.** Your above ground pool is not deep enough to safely allow diving or jumping. This can result in concussions, paralysis, drowning and even death.
- 2. NEVER SWIM ALONE.** If something happens to you, no one will be able to help you. Someone should always be available to lend assistance in an emergency.
- 3. NEVER LEAVE CHILDREN UNATTENDED.** Never leave a child alone and unsupervised in or near the pool, not even for one second. There is no substitute for constant adult supervision.
- 4. NO ROUGH PLAY OR RUNNING NEAR THE POOL.** Surfaces can become slippery and hazardous when wet, and can result in falls causing serious injuries.
- 5. RESTRICT ACCESS TO THE POOL.** Do not leave chairs or other furniture beside the pool that could be used by a child to climb up into the pool. Ladders must be removed whenever the pool is unattended. A fence with a lockable gate around the pool or yard is strongly recommended and may be required by law in some jurisdictions. Secure doors and windows, where applicable to prevent unauthorized access to the swimming pool. If you have a deck overlooking the pool, you must have a door with an automatic locking system restricting access to water. Remove all toys from the swimming pool and surrounding area when not in use to avoid attracting children to the pool. Barriers, pool covers, pool alarms or similar safety devices are helpful aids, but they are not substitutes for continuous adult supervision.

6. LIFE SAVING EQUIPMENT. Keep a safety rope 1/4" by 50ft with a flotation buoy with an outside diameter of 15". Have it accessible in a prominent area by your pool. Keep a pole not less than 16 feet (4,88m) long with a blunt or hook end available at poolside in case of emergencies. Weak swimmers and non-swimmers should wear personal protection equipment when using the pool.

7. LIGHT THE POOL AT NIGHT. If the pool is used after dusk, adequate lighting must be provided. Illumination in the pool area must be sufficient to clearly judge pool depth and all features in and around the pool. For lightning recommendations, consult your local licensed electrical contractor.

8. KEEP OFF TOP LEDGES. Do not walk or sit on the top ledges, they can be slippery and result in dangerous falls.

9. NO ALCOHOL OR DRUGS. Never drink alcoholic beverages, use any intoxicants or medication which could hinder your judgment and reflexes.

FAILURE TO HEED THESE WARNINGS CAN RESULT IN PERMANENT INJURY, PARALYSIS FROM A BROKEN NECK, ELECTROCUTION OR DROWNING. THIS POOL IS NOT DESIGNED FOR DIVING OR JUMPING! DANGEROUS INJURY CAN RESULT. SHALLOW WATER!

10. KEEP YOUR POOL CLEAN AND SANITARY. Your filter system will remove suspended particles from the water and the surface skimmer will remove insects, leaves and other debris from the water surface. Use the correct pool chemicals as directed to destroy harmful bacteria and prevent formation of algae. Remember, unsanitary water is a serious health hazard.

11. POOL COVER SAFETY. The cover must have a tamperproof locking retainer cable that positions the cover around the pool wall and keeps it securely in place. Never allow anyone, especially children on the cover. Asphyxiation or drowning could result. Be sure to remove pool cover completely from the water surface before entering the pool. When purchasing any pool cover, please consult a swimming pool professional.

12. POOL CHEMICALS. Store pool chemicals out of the reach of children. Always follow chemical manufacturer's instructions when storing, handling and dispensing pool chemicals.

13. DO NOT USE GLASS BOTTLES OR CONTAINERS in or around the pool. It can cause injuries or damage the pool.

14. ELECTRICAL DAMAGE. Never touch or attempt to service electrical equipment, including the filter when your body and or the ground is wet. Electrocution or permanent injury due to high voltage (120V AC) could result. The pool should be bonded in accordance with Section 680-26 of the National Electrical Code. For further assistance contact your dealer or local licensed electrician. Do not use pool during electrical or rain storms.

15. CHECK FOR DAMAGE. Periodically check your pool and ladder components for damage and wear. Be sure all screws are in place. Replace all damaged or worn components and tighten all screws before you use the pool, deck or ladders. At first sign, remove rust and touch up immediately.

16. POOL PARTS. Never modify the pool or accessories, or remove or drill holes in the pool, deck or ladder components unless instructed. Your pool wall is made of thin metal, there is an inherent cut hazard with metal so use gloves during installation. Always use Original Equipment Manufactured parts for your replacement parts.

FOLLOW ALL SAFETY INSTRUCTIONS

Read and follow all safety instructions packaged with pool, ladder, deck or any other accessory. Additional pool safety publications can be obtained by contacting the Pool and Hot Tub Alliance (www.phta.org).

IMPORTANT

TO OWNERS AND INSTALLERS: The safety stickers must be installed as per the following instructions. Failure to properly install warning labels will void warranty. Failure to mount these safety labels may subject you to substantial liability in case of injury. These warnings are not to be removed under any circumstances! If they become discolored or fall off, please request replacements which will be sent at no charge.

PLACE SIGN ON TOP LEDGE, OPPOSITE ENTRY TO POOL.



PLACE SIGN ON WALL NEXT TO POOL ENTRY.



REMEMBER TO WATCH CHILDREN.

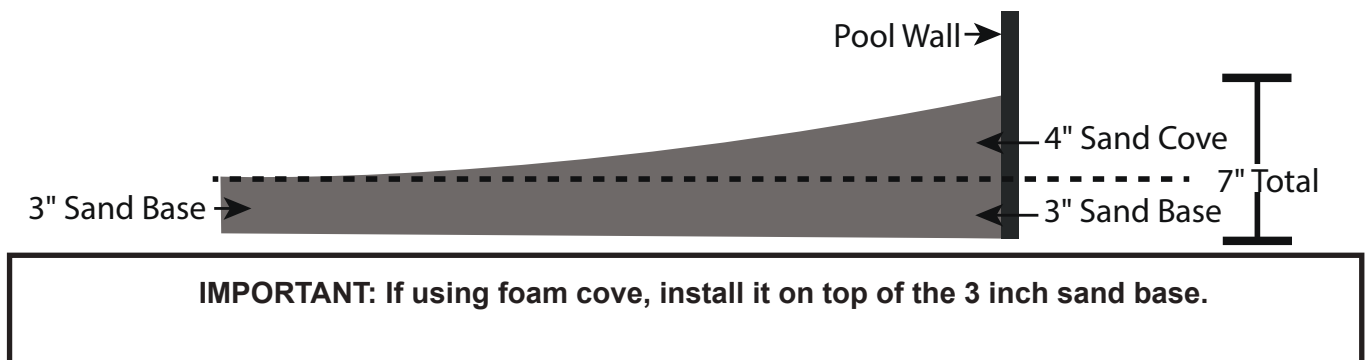




IMPORTANT INFORMATION

It is **EXTREMELY IMPORTANT** to follow these instructions when you're installing a base underneath your pool liner. If this is done incorrectly your pool wall will break or become permanently damaged. Failure to follow these instructions will result in pool wall damage that voids the warranty.

Using fine mason sand (free of rocks and debris), lay a 3 inch thick bed of sand across the entire inside of the pool (wall-to-wall) to form your base. Build a sand cove against the pool wall by creating a 4" angle of sand or use foam pool cove (on top of the 3 inch sand base) giving you a total cove height of 7 inches where the base meets the pool wall. It is very important to make sure that the vinyl pool liner is supported by the proper sand base height. There should be **NO AIR SPACE** between the vinyl pool liner and the base that it's resting on.





IMPORTANT INFORMATION ABOUT YOUR LINER

We do not make or supply liners for our pools.

Please contact your liner's manufacturer with questions or if instructions are not included with the liner.

Liner must be installed per the liner manufacturer's instructions.

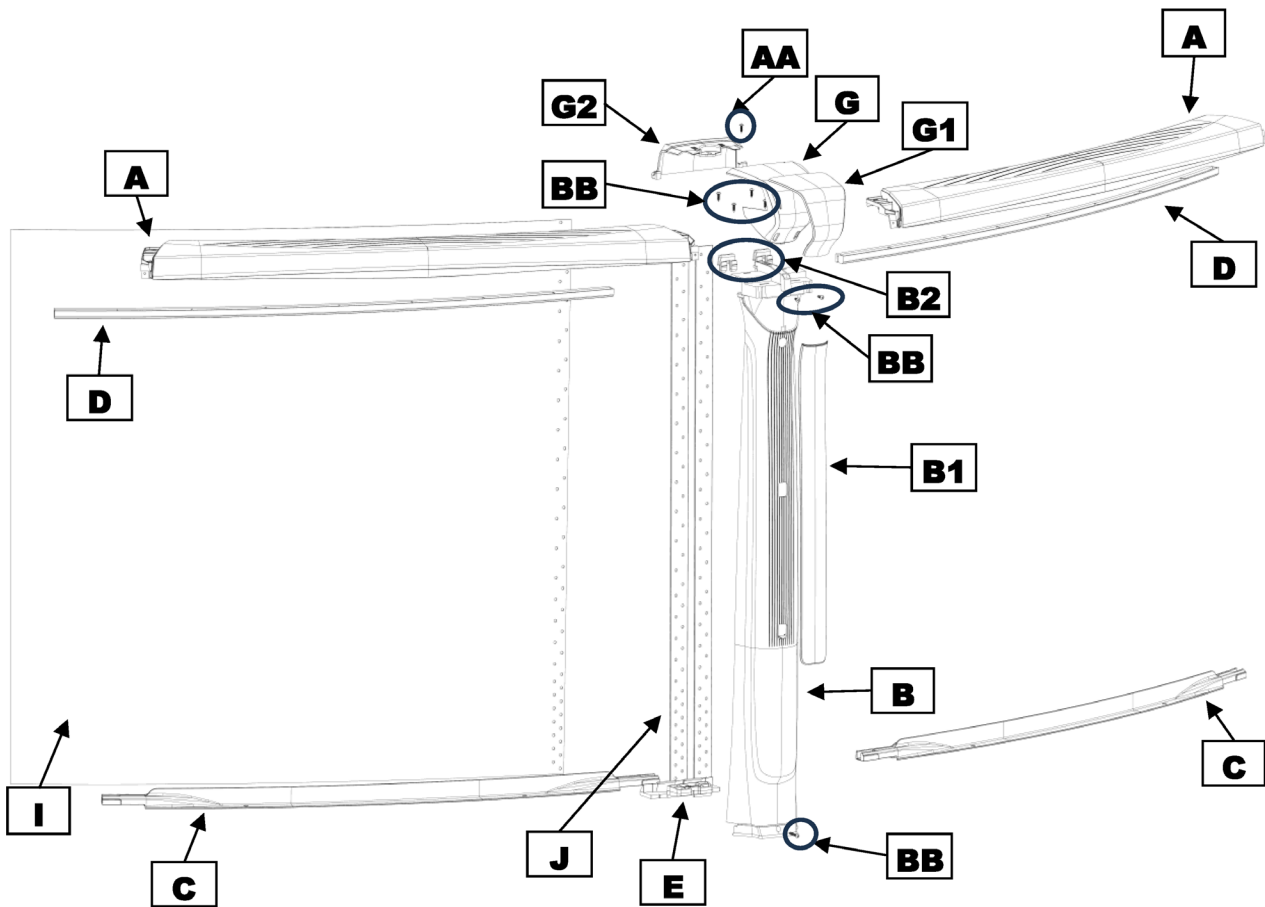
Incorrect liner installation may void the warranty.

Section
1

GENERAL INSTRUCTIONS - OVAL POOLS
GROUND PREPARATION

PARTS LISTING

DEFENDER
PDEF-54RRRRRR360
Round



! **IMPORTANT NOTE:**
Make sure you have all the parts necessary before you start installation.

Section
1

GENERAL INSTRUCTIONS - OVAL POOLS
GROUND PREPARATION

PARTS LISTING

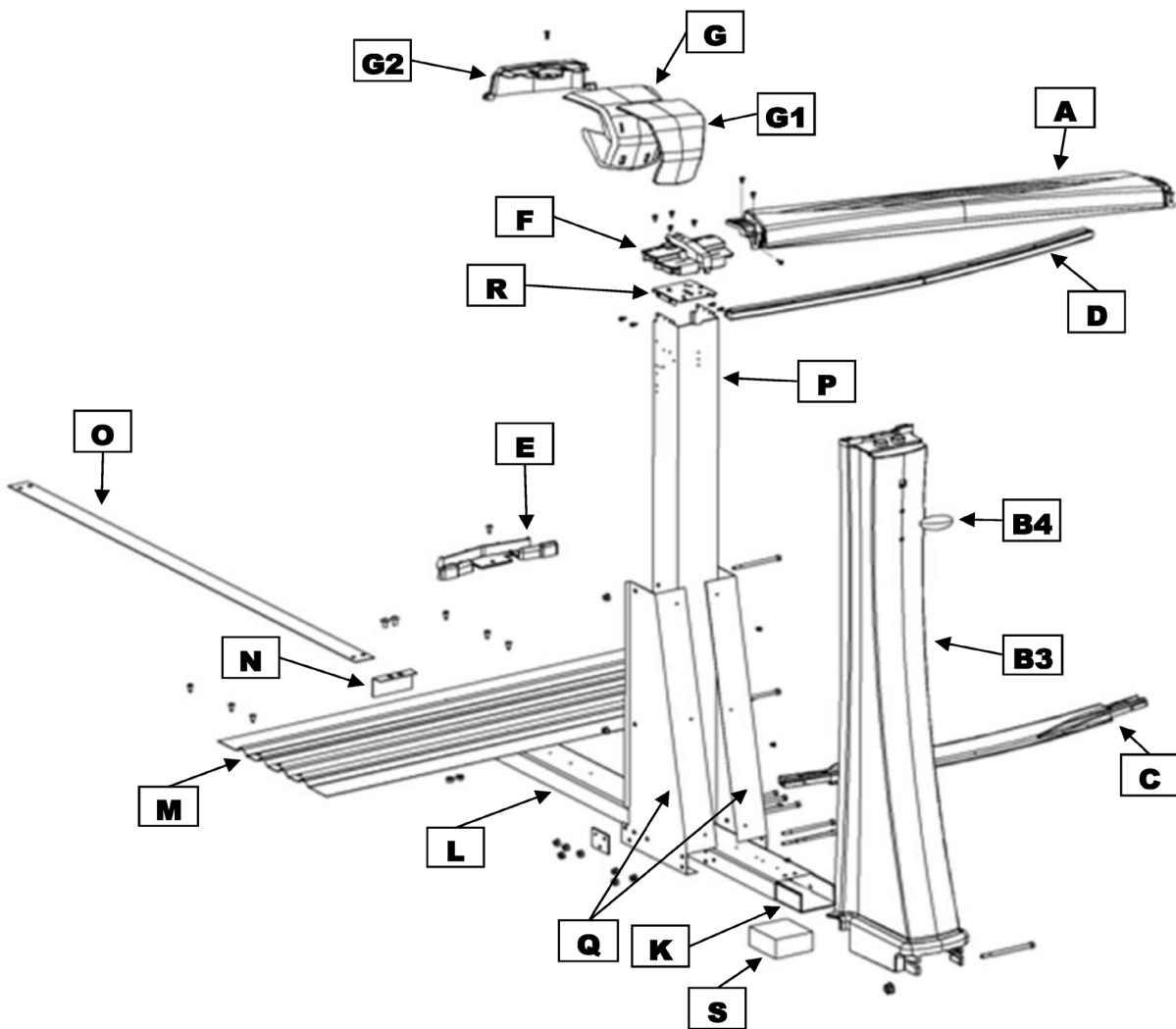
DEFENDER

PDEF-YM54RRRRRR360

Yardmore

Straight Section Parts

(Please see next diagram for hardware identification)



**Section
1**

**GENERAL INSTRUCTIONS - OVAL POOLS
GROUND PREPARATION**

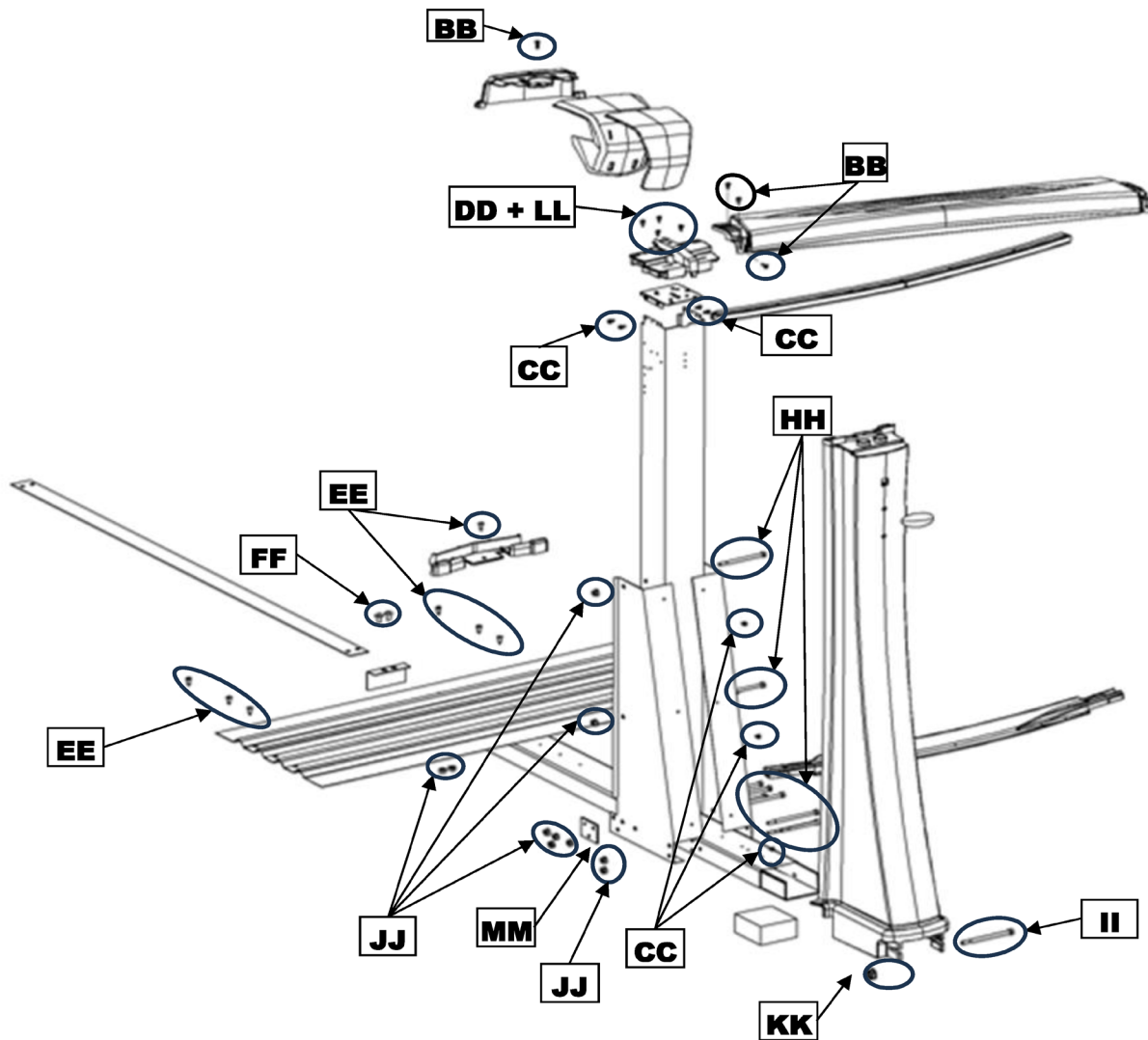
PARTS LISTING

DEFENDER

PDEF-YM54RRRRRR360

Yardmore

Straight Section Hardware



Section 1

GENERAL INSTRUCTIONS - OVAL POOLS GROUND PREPARATION

PARTS LISTING

Product Description:	Defender Oval
Product Code:	PDEF-YM54RRRRRR360

Revised Sept 2025

Quantity required for installation (by pool size)

Index #	Description	Part #	1220	1224	1526	1530	1833	1840
A	Top Ledge (round section)	10141360000	4	4	12	12	14	14
A	Top ledge (12')	10141360010	6	6				
A	Top Ledge (straight section)	10141360042	2	4	4	6	6	10
B	Upright	10241440004	8	8	10	10	12	12
B1	Upright - insert	13058440010	8	8	10	10	12	12
B2	Upright - clip	6ADP10900A00	16	16	20	20	24	24
B3	Upright - cover (straight section)	10241000004	4	6	6	8	8	12
B4	Upright - blank logo (straight section)	13041000000	8	8	6	8	8	12
C	Bottom rail (round section)	1081541000000	6	6	8	8	10	10
C	Bottom rail (straight section)	10841000042	2	4	4	6	6	10
C	Bottom rail (transition section - right)	1081541000020	2	2	2	2	2	2
C	Bottom rail (transition section - left)	1081541000030	2	2	2	2	2	2
D	Stabilizer (round section)	1071507160000	6	6	8	8	10	10
D	Stabilizer (straight section)	10741000042	2	4	4	6	6	10
D	Stabilizer (transition)	1071507160010	4	4	4	4	4	4
E	Bottom plate	11207100000	8	8	10	10	12	12
E	Bottom plate (straight section)	10441000000	4	6	6	8	8	12
F	Top plate (straight section)	1040033A01	4	6	6	8	8	12
G	Ledge cover (round section)	10341440000	8	8	10	10	12	12
G	Ledge cover (straight section)	10341440001	4	6	6	8	8	12
G1	Ledge cover - insert	13058440020	8	8	10	10	12	12
G1	Ledge cover - insert (straight section)	13058440030	4	6	6	8	8	12
G2	Ledge cover - back	10341440010	12	14	16	18	20	24
I	Wall		1	1	1	1	1	1
J	Wall Joiner bars	209031	2	2	2	2	2	2
K	Under channel	15933	4	6	6	8	8	12
L	Steel strap end channel	16539	4	6	6	8	8	12
M	Steel pressure plate	16549	4	6	6	8	8	12
N	Oval channel end cap	22726	4	6	6	8	8	12
O	Strap 12'	16724	4	6				
O	Strap 15'	16725			9	12		
O	Strap 18'	16726					12	18
P	Upright - steel (straight section)	22151	4	6	6	8	8	12
Q	Right gusset	16375	4	6	6	8	8	12
Q	Left gusset	16374	4	6	6	8	8	12
R	Top plate - metal (straight section)	10136R	4	6	6	8	8	12
S	Foam block	29917	4	6	6	8	8	12
	Installation / Warranty bag	SACWBIDEF-O	1	1	1	1	1	1

Section 1

GENERAL INSTRUCTIONS - OVAL POOLS GROUND PREPARATION

PARTS LISTING

Product Description:	Defender Oval
Product Code:	PDEF-YM54RRRRRR360

Revised Sept 2025

Quantity required for installation (by pool size)

Index #	Description	Part #	1220	1224	1526	1530	1833	1840
-	Hardware bag	1051220380	1					
-	Hardware bag	1051224380		1				
-	Hardware bag	1051526380			1			
-	Hardware bag	1051530380				1		
-	Hardware bag	1051833380					1	
-	Hardware bag	1051840380						1
QUANTITIES PER HARDWARE BAG :								
AA	Screw - stainless steel - #12 x 1 1/2"	2PPS112	8	8	10	10	12	12
BB	Screw - stainless steel - #12 x 3/4"	V12X34	90	103	117	131	145	173

Index #	Description	Part #	1220	1224	1526	1530	1833	1840
-	Hardware bag	10522111	1					
-	Hardware bag	10522112		1				
-	Hardware bag	22113				1		
-	Hardware bag	10522116			1			
-	Hardware bag	10522117					1	
-	Hardware bag	10522118						1
QUANTITIES PER HARDWARE BAG :								
CC	Screw - stainless steel - 1/2" #10	99-0068	35	50	50	60	60	90
DD	Screw - stainless steel - 1" #10	99-0070	20	30	30	40	40	55
EE	Screw - SS - self tapping - #12x3/4	99-0123	26	40	40	55	55	85
FF	Screw - stainless steel - 1/2" x 5/16 - 18	99-0026	16	18	24	36	32	48
HH	Bolt - 5" x 5/16 - 18	99-0073	8	12	12	16	16	24
II	Bolt - 5 1/2" x 1/4 - 20	2PCB520	4	6	6	8	8	12
JJ	Nut - 5/16 - 18	99-0027	24	30	36	52	48	72
KK	Flange Nut - 1/4 - 20	2FGS422	4	6	6	8	8	12
LL	Flat Washer - #10 x 5/8	FW10X58S	20	30	30	40	40	55

Index #	Description	Part #	1220	1224	1526	1530	1833	1840
-	Hardware bag	16720	1	1	1	2	2	3
-	Hardware bag	16722		1	1			
QUANTITIES PER HARDWARE BAG :								
HH	Bolt - 5" x 5/16 - 18	99-0073	32	48	48	64	64	96
JJ	Nut - 5/16 - 18	99-0027	32	48	48	64	64	96
MM	Washer 3 holes	16663	8	16	16	16	16	24

Index #	Description	Part #	1220	1224	1526	1530	1833	1840
-	Hardware bag for wall	1050000R54	1	1	1	1	1	1
QUANTITIES PER HARDWARE BAG :								
	Bolt - 1/4"-20 x 7/8"	B14X20X78	49	49	49	49	49	49
	Flange Nut - 1/4 - 20	2FGS422	49	49	49	49	49	49

Section 1

GENERAL INSTRUCTIONS - OVAL POOLS GROUND PREPARATION

READ ALL INSTRUCTIONS CAREFULLY

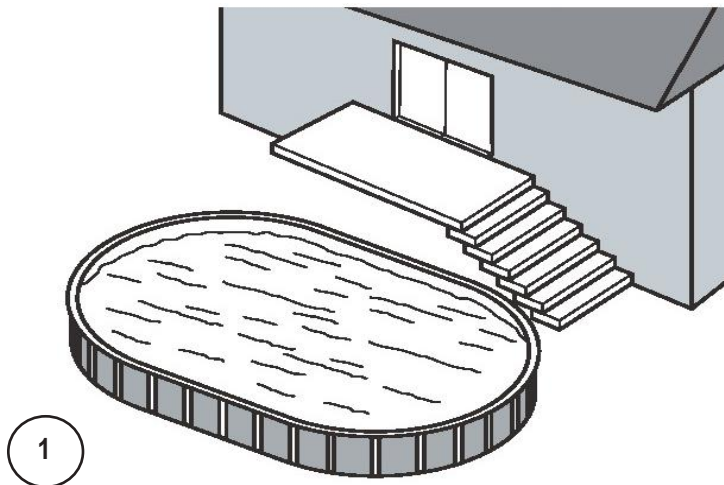
The approximate time it takes for installation, excluding earthworks and filling is about 1 day.
You will need at least 3 people to help with installation.

A. DETERMINE THE LOCATION OF YOUR POOL

1. The Terrain

Pay special attention to choosing the right location for your pool:

- Choose a large area, as flat and level as possible and well drained. **(Image 1)**
- Choose a spot on dry, firm earth (stabilizer or other)—do not install the pool on asphalt, tar or oil based surfaces, gravel, peat moss, wood or chemically treated soil.
- Check with your pool dealer to see if Nut Grass grows in your area. This type of grass may grow up through your pool liner. Your dealer will be able to advise how best to treat the site.
- Sloped areas will need to be made level by digging away high spots, not by filling low spots—be prepared to hire earth-moving equipment if necessary.
- Ensure the earth is well compacted and a wall is placed to prevent the earth from seeping out. **(Image 2)**
- If you need to install partly in the ground, you must contact your dealer to see if this is an option for you and that you meet law requirements in your jurisdiction. **(Image 3)**



Important Note:

Ground preparation is one of the most important steps in the installation process. A proper foundation will ensure the rest of the pool assembly goes smoothly and that no problems will occur when the pool is filled with water.



Important Note:

Refrain from finishing up your pool with stones, rocks, gravel, etc., to avoid chipping of the paint and damaging the pool wall. Most decorative rocks are very acidic and they can damage/corrode your pool wall beyond repair.

Section 1

GENERAL INSTRUCTIONS - OVAL POOLS GROUND PREPARATION

A. CONT. DETERMINE THE LOCATION OF YOUR POOL

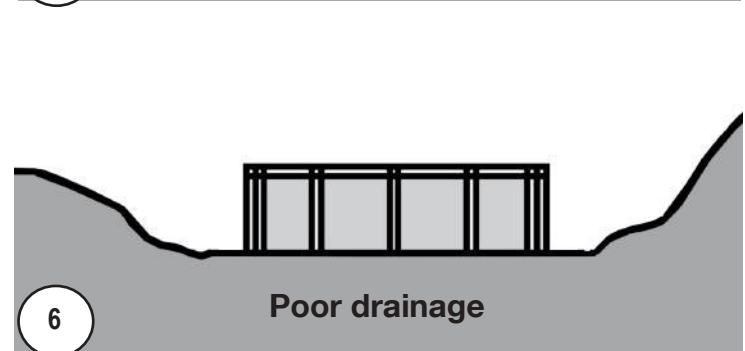
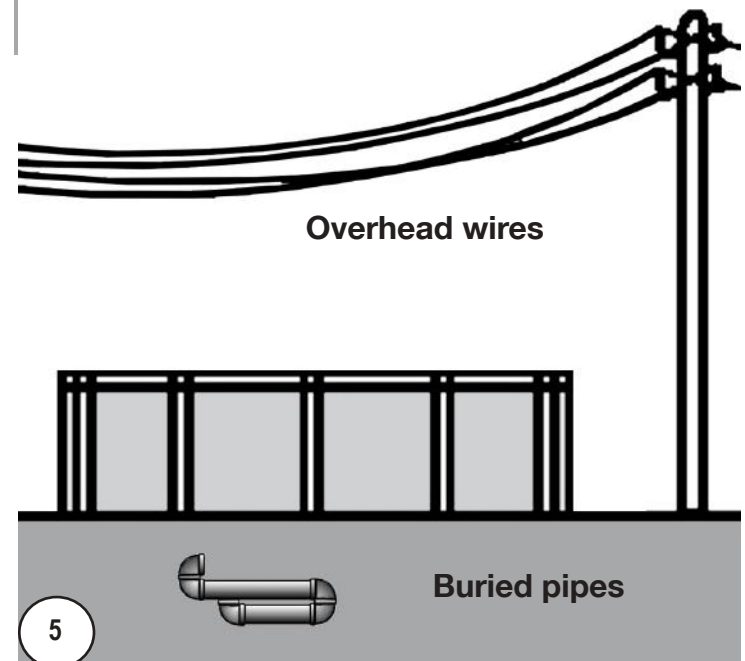
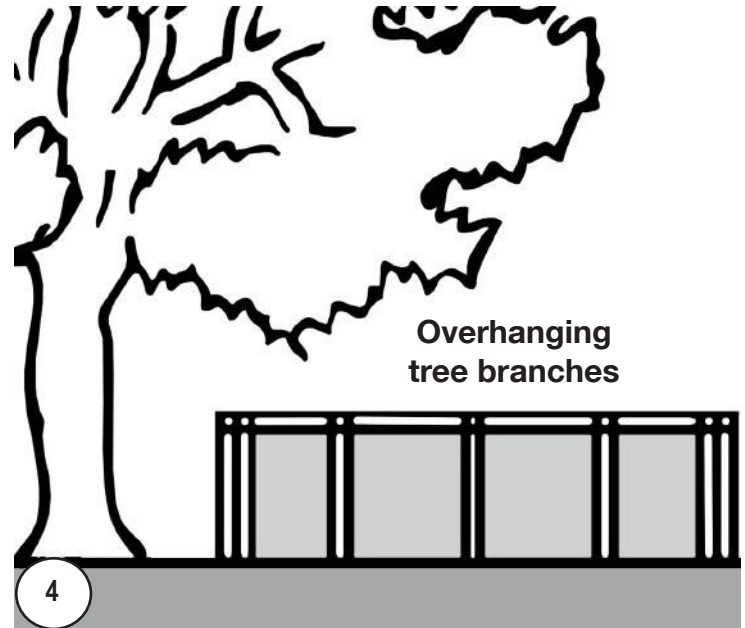
2. Things to Avoid

Do not locate your pool near or on any of the following (*Images 4 to 6*):

- Overhanging tree branches.
- Overhead wires and clotheslines.
- Buried pipes and wires. Contact your gas, electric and telephone utilities to find buried pipes and wires before you dig.
- Areas with poor drainage.
- Grass, stones and roots. Grass will rot underneath the pool liner, and stones and roots will damage the pool liner.
- Areas recently treated with oil-based weed killers, chemicals or fertilizers.

3. Plan Ahead

- Will you be adding an adjacent deck later? Be sure to leave room.
- Will you be using pool accessories or other appliances that need electricity or gas? Locate your pool near these services or plan to have them installed later by a licensed contractor.



Important Note:

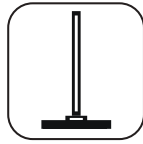
When locating the centre of the pool, be sure to take into consideration any structures (deck, patio, house) or relevant items (change rooms, gazebo, etc.) that the pool may need to line up with and ensure that the pool is in the most visual pleasing location for your property.

Section 1

GENERAL INSTRUCTIONS - OVAL POOLS GROUND PREPARATION

A. CONT. DETERMINE THE LOCATION OF YOUR POOL

4. Tools Needed



Compactor



Hammer



Water hose



Level



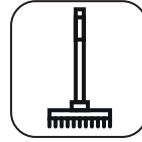
File



Vacuum cleaner



Pliers



Rake



Lawn roller



Metal snips



Screwdriver



Wheelbarrow



Shovel



Spraypaint



Mallet



Measuring tape



Duct tape



Trowel



Wrench



 Gloves

List of required materials

- Straight wood plank
- Material that provides a permanent base (ex. Crushed stone)
- Fine sand (void of debris)
- Cement blocks (5cm x 20cm x 40cm / 2"x 8"x16") (optional)
- 2x Plywood (60cm x 120cm / 2ft x 4ft)
- Wood board (30cm x 20cm / 1ft x 1ft)
- Vinyl covered hooks (to hold wall steady)
- String and stakes & wooden pegs
- Prefabricated cove sections (optional)
- Pool carpeting (optional)
- Rope
- Polyethylene Plastic Sheeting

- Optical Level
Can be useful for precise measurements



Important Note:

Wall edges, skimmer and water return holes may be sharp, it is important to wear gloves when installing.

Section 1

GENERAL INSTRUCTIONS - OVAL POOLS GROUND PREPARATION

B. PREPARE THE FOUNDATION OF YOUR POOL

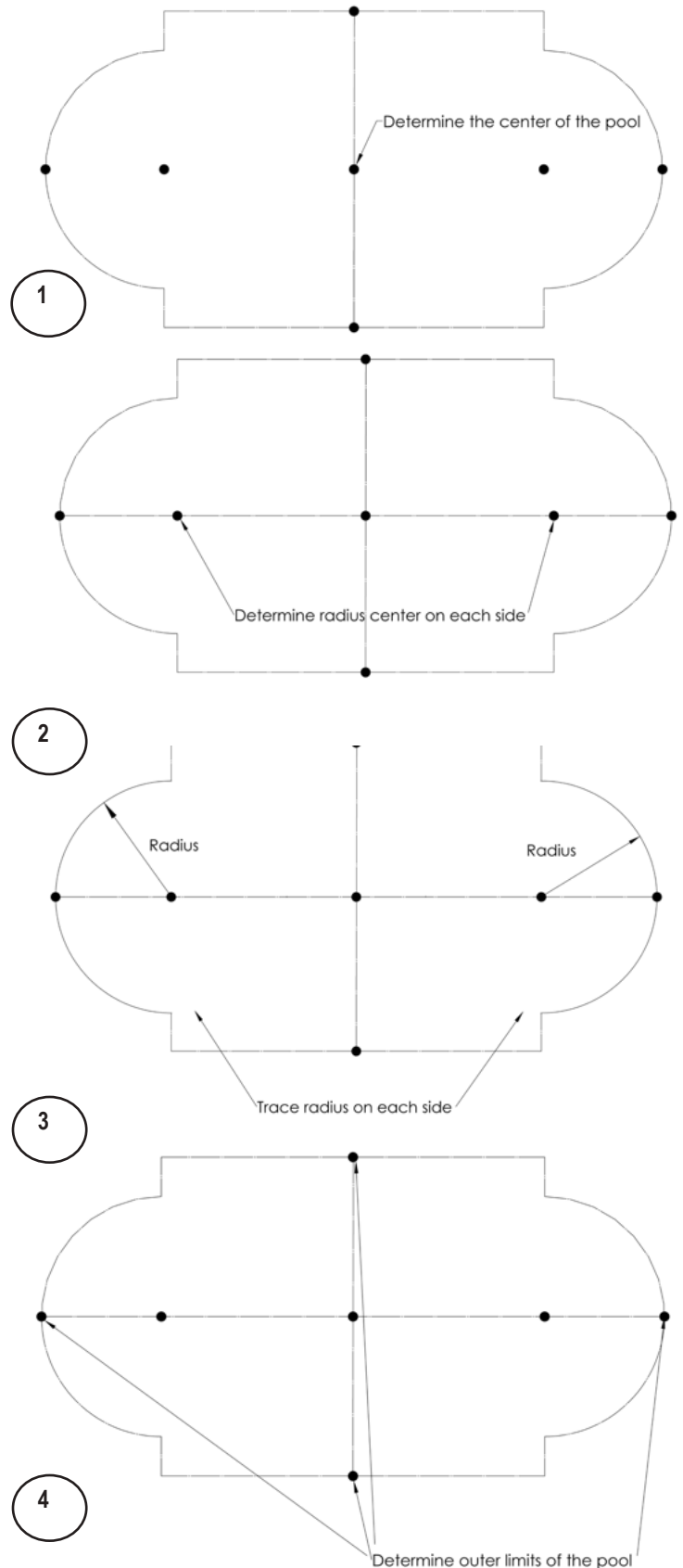
1. Mark out the area

- a. The next following steps will show you how to mark out the area you need for the oval pool. This marked area will be larger than the pool size itself, but this space is needed. Find a site where the ground is stable, level and well drained. Once you have selected your site, determine where the middle of your pool will be.

See Diagrams:

Please see in the next page for an **EXAMPLE** on how to correctly mark your pool area.
Please verify your pool's **FOOTPRINT** for correct measurements on the last pages of this Section 1.

- b. Drive a peg into the ground at the centre point.
(Image 1)
- c. Now you must make the round ends that will be the oval part. In order to do so, you will have to determine the center of the radius on each side and drive a peg into the ground.
(Image 2)
- d. Using a length of string tied between the peg and a can of spray paint mark the circles on the ground.
(Image 3)
- e. Once the center has been established, and the measurement of the pool itself has been determined, you must now determine the outer limits of the perimeter of your pool. Add 12" (30cm) outside this measurement to determine pool perimeter.
(Image 4)



Section 1

GENERAL INSTRUCTIONS - OVAL POOLS GROUND PREPARATION

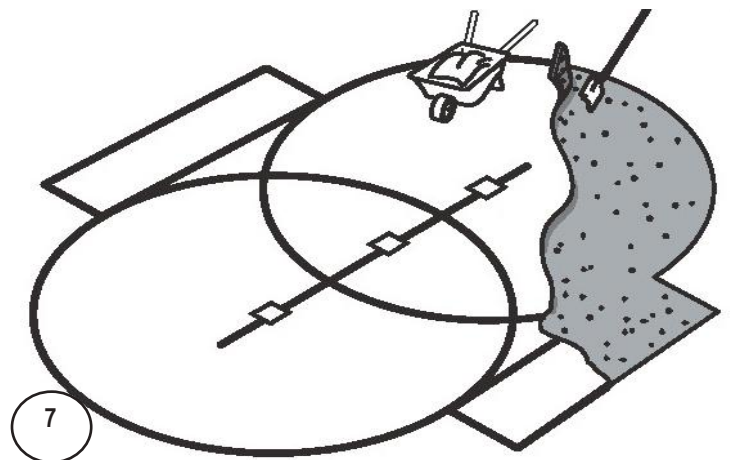
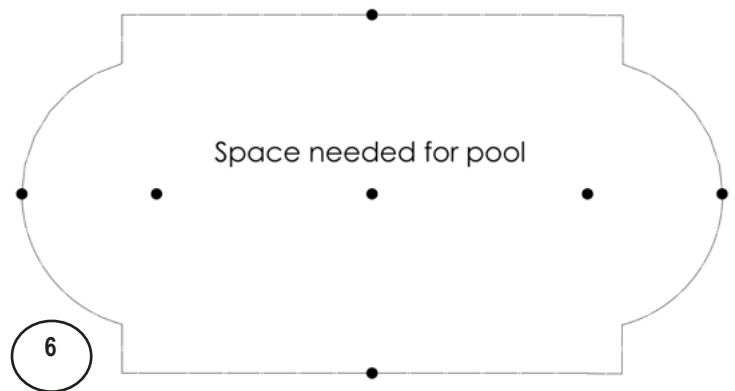
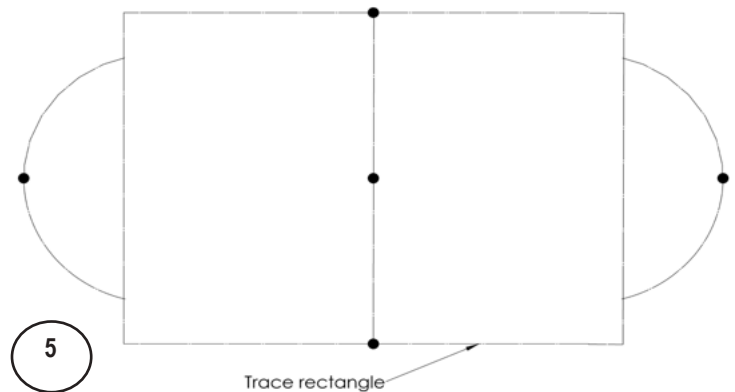
B. CONT. PREPARE THE FOUNDATION OF YOUR POOL

- f. Mark areas along both straight sides of your oval. Use pegs and string as a guide for the can of spray paint to mark straight lines. **(Image 5)**
- g. You now have the space marked out that is needed for your oval pool. **(Image 6)**

2. Remove the sod

- a. Remove the sod from the area you have just outlined. **(Image 7)**
- b. Remove all debris (rocks, roots, etc) using a rake. Then compact the ground to achieve a firm base.

You can use a sod removal machine.



Important Note:

Your pool must be perfectly level. Take the time you need to be sure your foundation is perfectly level.

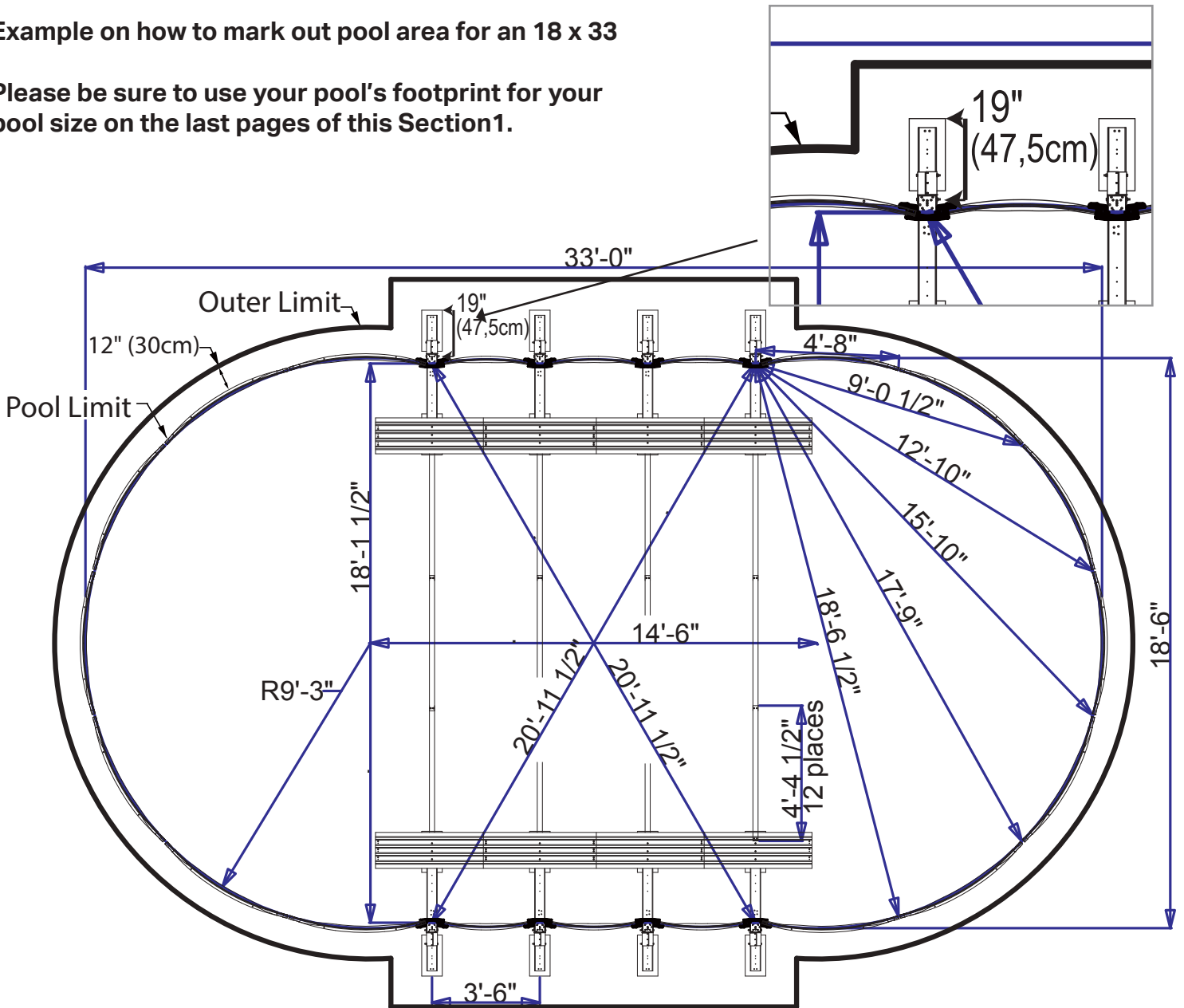
**Section
1**

**GENERAL INSTRUCTIONS - OVAL POOLS
GROUND PREPARATION**

B. CONT. PREPARE THE FOUNDATION OF YOUR POOL

Example on how to mark out pool area for an 18 x 33

Please be sure to use your pool's footprint for your pool size on the last pages of this Section 1.



Perimeter 1047" (hole to hole)-Track length measured in track slot
All dimensions are in inches

EXAMPLE

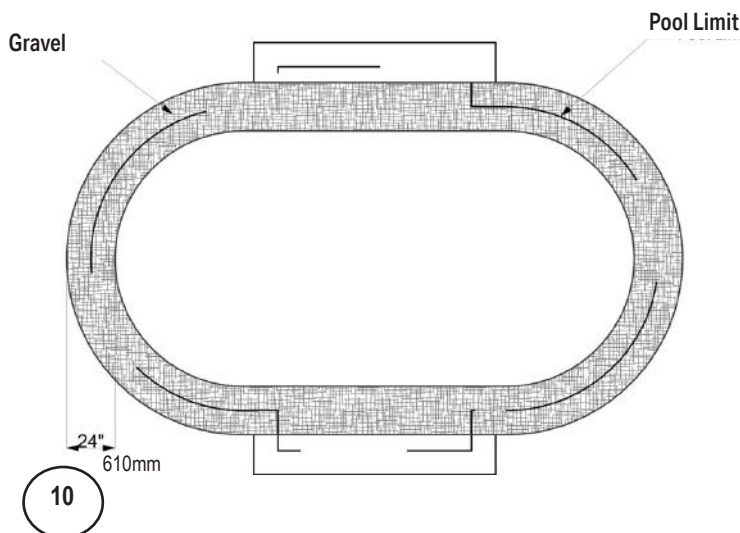
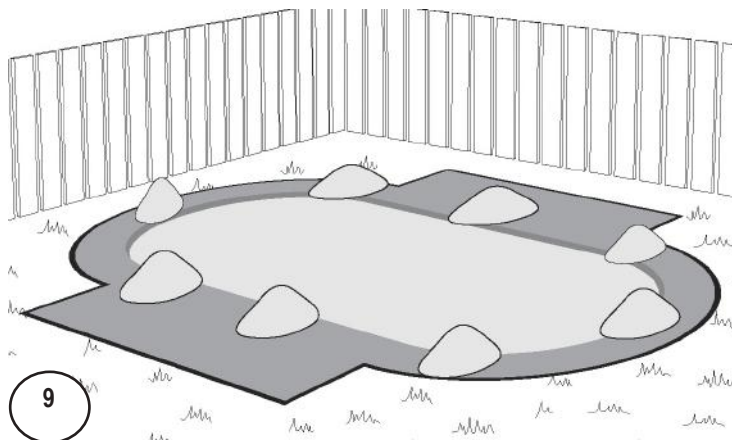
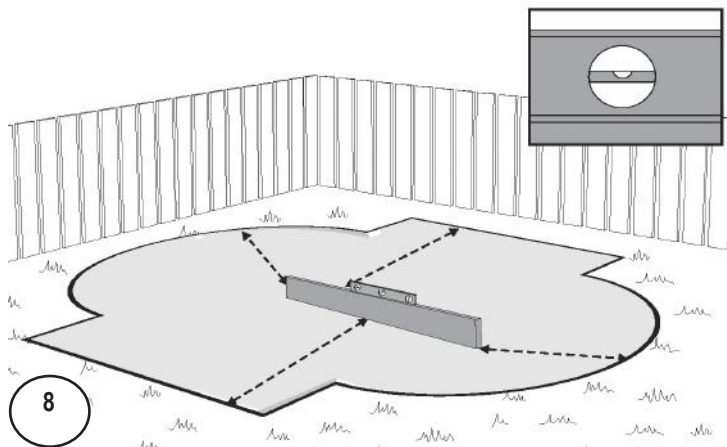
Section 1

GENERAL INSTRUCTIONS - OVAL POOLS GROUND PREPARATION

B. CONT. PREPARE THE FOUNDATION OF YOUR POOL

3. Make the area flat and level

- Remove all the high spots with a shovel, hoe or rake. To make sure your pool is stable, compact the ground well before adding the sand. Be prepared to hire earth moving equipment if you need to level a large area. Remember, your pool must be level across the diameter of the pool. **(Image 8)**
- Small dips and hollows may be filled in, but the soil must be hard-packed with a tamping tool or a soil compactor machine.
- Take material such as rock dust or fine mortar that can conform a solid, permanent base and deposit this material around the rim of the basin. **(Image 9)**
- The material used should be spread around the perimeter of the pool to a width of 24" (60cm) and a thickness of 2" (5cm). **(Image 10)**
- Recheck the outer perimeter of the oval shape, where the pool wall will be placed. Compact the ground and make sure there are no high or low spots. The bottom edge of the pool wall must rest flat on the ground and have no gaps under it.



Helpful Hint:
Use the optical level to ensure that the ground is perfectly flat and level.

Important Note:
Your pool must be perfectly level. Take the time you need to be sure your foundation is perfectly level.

Section 1

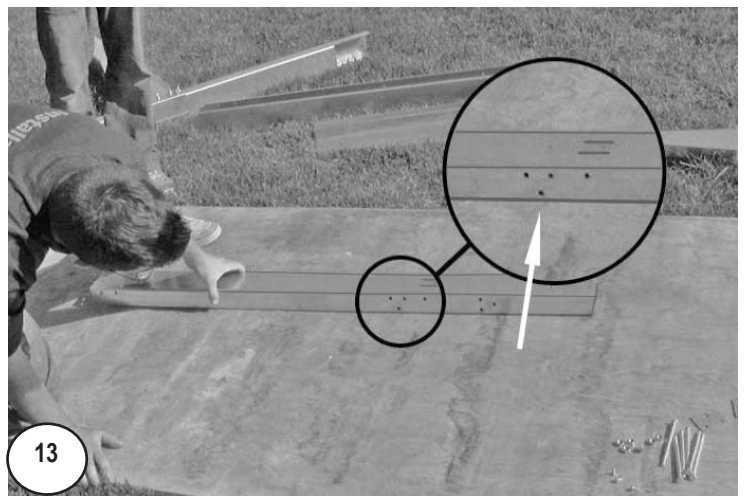
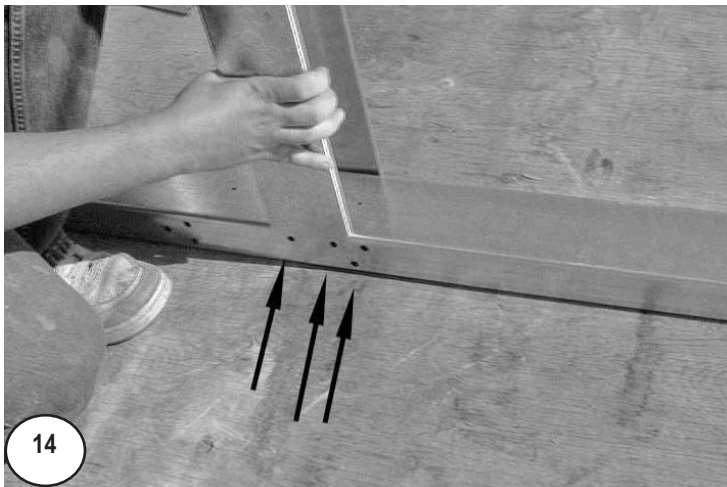
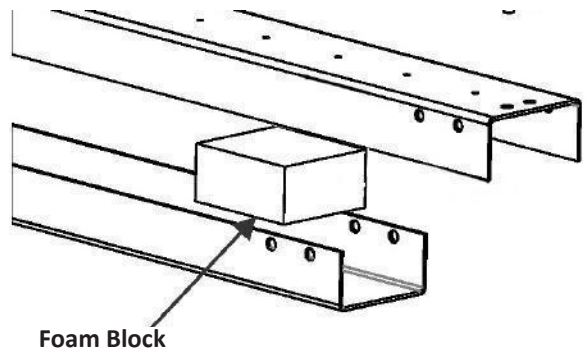
GENERAL INSTRUCTIONS - OVAL POOLS GROUND PREPARATION

C. PRE-ASSEMBLY OF THE STRAIGHT SECTION

1. Assembling the strap end channel

- a. Overlay the strap end channel over the under channel (under channel is belly-up). *(Image 11)*
- b. Before bolting the strap sections to the strap end channels, insert the foam block in the front part of the strap end channel, insert it at least 1 1/2" past the edge of the channel. *(Image 12)*
- c. Align the holes of the strap end channel with those of the underbox channel, but do not secure them with the bolts at this time. *(Image 13)*
- d. Slide the steel upright over the strap end channel making sure that the holes line up. The steel upright opening must face the longest part of the strap end channel. *(Image 14)*

HELPFUL HINT: The top channel extends past the under channel towards the inside of the pool.



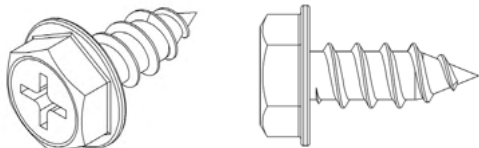
**Section
1**

**GENERAL INSTRUCTIONS - OVAL POOLS
GROUND PREPARATION**

C. PRE-ASSEMBLY OF THE STRAIGHT SECTION-Yardmore Hardware

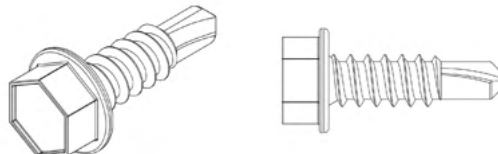
YARDMORE HARDWARE

STAINLESS STEEL SCREW 1/2" #10



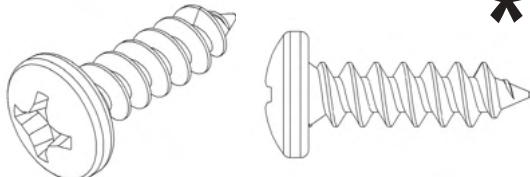
PART NUMBER: 99-0068

SELF-TAPPING SCREW #12 x 3/4



PART NUMBER: 99-0123

STAINLESS STEEL SCREW #12 x 3/4" *



PART NUMBER: V12X34

FLAT WASHER #10 x 5/8



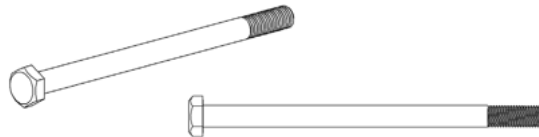
PART NUMBER: FW10X58S

STAINLESS STEEL SCREW 1/2" x 5/16-18



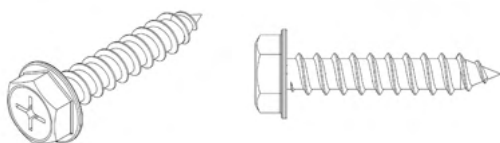
PART NUMBER: 99-0026

BOLT 5" x 5/16-18



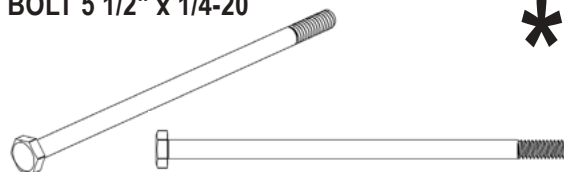
PART NUMBER: 99-0073

STAINLESS STEEL SCREW 1" #10



PART NUMBER: 99-0070

BOLT 5 1/2" x 1/4-20 *



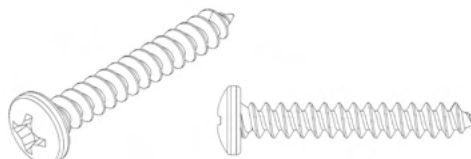
PART NUMBER: 2PCB520

NUT 5/16-18



PART NUMBER: 99-0027

STAINLESS STEEL SCREW #12 x 1 1/2" *



PART NUMBER: 2PPS112

NUT 1/4-20 *



PART NUMBER: 2FGS422

STAINLESS STEEL SCREW #12 x 1" *



PART NUMBER: 2PPS121

Section 1

GENERAL INSTRUCTIONS - OVAL POOLS GROUND PREPARATION

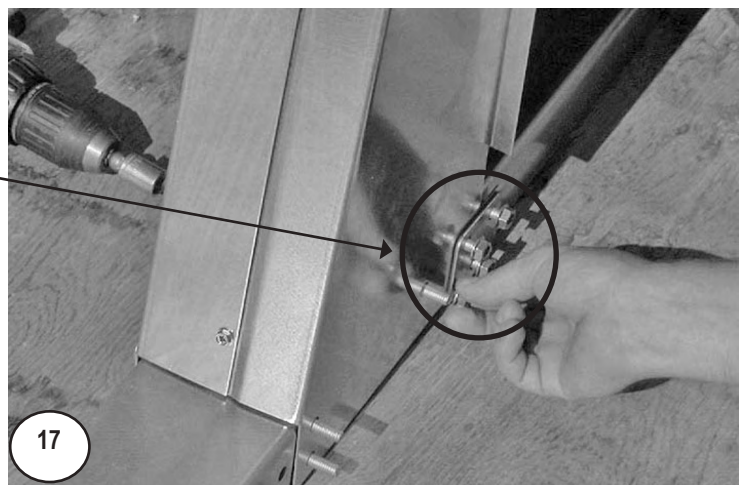
C. CONT. PRE-ASSEMBLY OF THE STRAIGHT SECTION

- e. Insert the left and right gussets. the pieces are marked "L" and "R". Ensure that the holes are aligned.
(Image 15)

- f. All holes should be lined up at this point. Use the 5/16" x 5" bolts (99-0073) and 5/16" nuts (99-0027) to connect the channels and to connect the gussets to the steel uprights. Remember to include the three-hole washers (16663) on the front side of the gussets. *(Images 16 & 17) DO NOT TIGHTEN THE BOLTS.*



THREE-HOLE WASHER

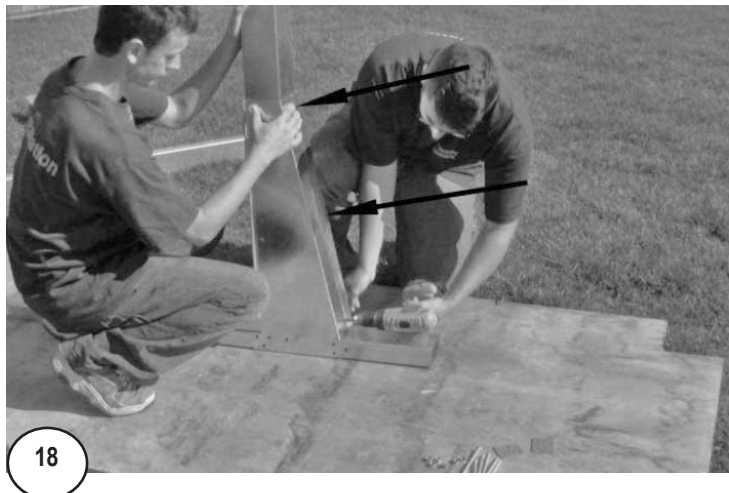


Section 1

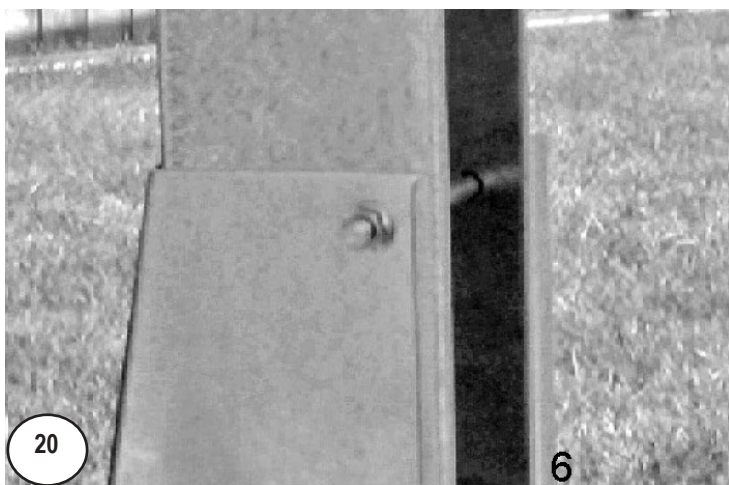
GENERAL INSTRUCTIONS - OVAL POOLS GROUND PREPARATION

C. CONT. PRE-ASSEMBLY OF THE STRAIGHT SECTION

- g. Once these pieces are in place, screw the left and right gussets to each other using three #10-1/2" screws (99-0068). (Image 18)



- h. In order to ensure that the steel upright and the channels are at right angles during the assembly, push the ends of the steel upright and the channels and tighten the bolts at the same time. First, tighten the bolts of the channels by maintaining a good pressure. For the screws on the steel upright and gussets, sufficiently tighten the bolts to let the screws exceed 1/8". (Images 19 & 20)



Section 1

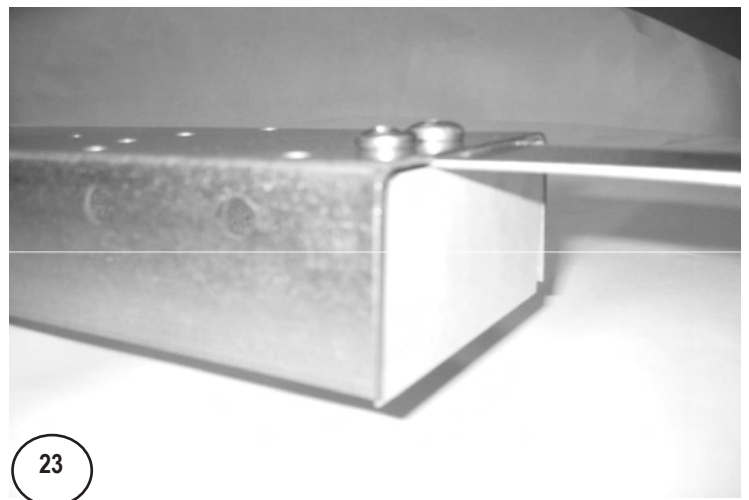
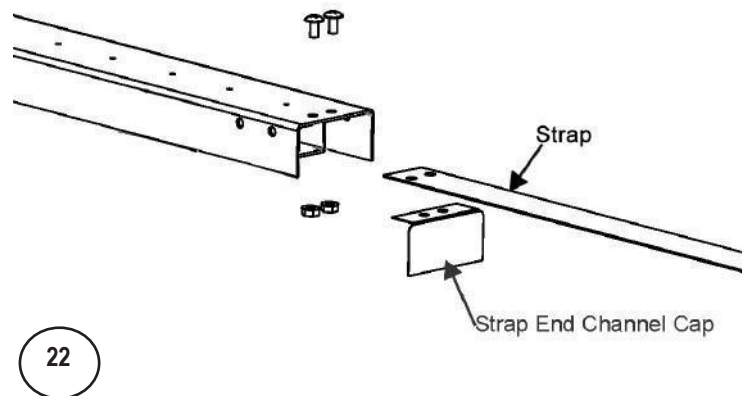
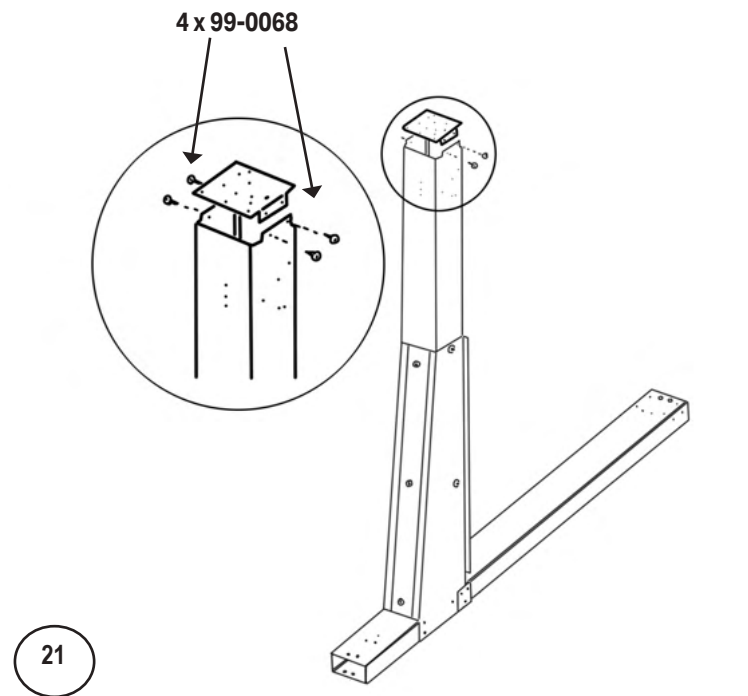
GENERAL INSTRUCTIONS - OVAL POOLS GROUND PREPARATION

C. CONT. PRE-ASSEMBLY OF THE STRAIGHT SECTION

- i. Place a top plate on the top of each of the pool steel structures. The holes of the top plate and steel structure must be aligned and screwed on the side using four #10-1/2" screws (99-0068). (*Image 21*)

NOTE: Be sure to verify your pool's footprint to ensure correct strap lengths.

- j. Slide a strap under the front part of a channel, the two holes in these End Channel Caps will line up with the two holes in the straps. (*Image 22*)
- k. The End Channel Caps are secured in place using the same two 5/16" x 1/2" screws (99-0026) and 5/16" nuts (99-0027) that are used to secure the straps to the strap end channels. (*Image 23*)



Helpful Hint:
Do not be alarmed if you are not using all of the holes in the strap end channels.

Section 1

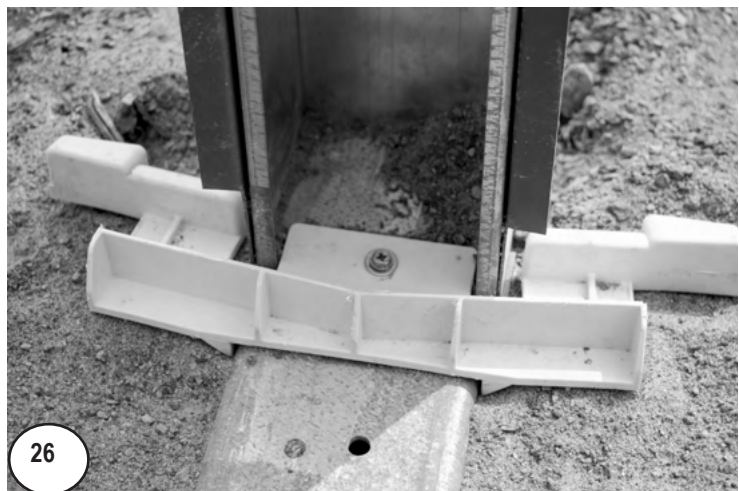
GENERAL INSTRUCTIONS - OVAL POOLS GROUND PREPARATION

C. CONT. PRE-ASSEMBLY OF THE STRAIGHT SECTION

1. Bottom plates - straight section

- a. Screw the bottom plate on the strap end channel with a #12x3/4 self-tapping screw (99-0123). The bottom plate has to sit on the edge of the strap end channel and the steel upright. *(Images 24 to 26)*
- b. The installation of the bottom plates for the round section will continue in Section 2.

Proceed to the next step, **Measuring for the buttress trenches.**



⚠ Helpful Hint:
Do not be alarmed if you are not using all of the holes in the strap end channels.

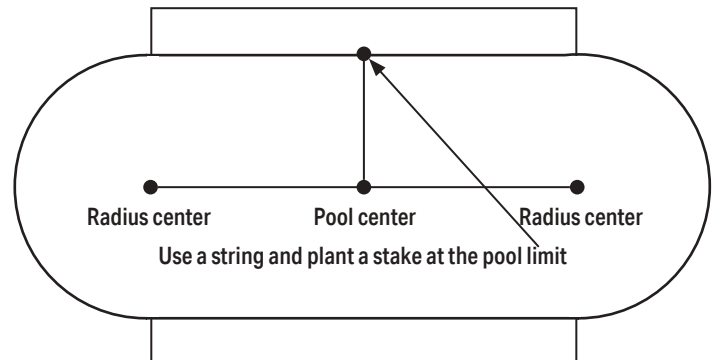
Section 1

GENERAL INSTRUCTIONS - OVAL POOLS GROUND PREPARATION

D. GROUND PREPARATION FOR THE BUTTRESS

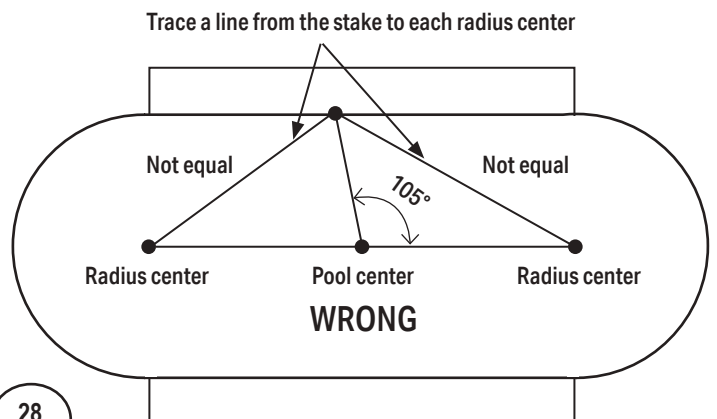
1. Measuring for the buttress trenches

- a. In order to measure where trenches need to be dug for the placement of the buttress, you must first draw a perpendicular line in order to create a perfect 90 degree angle. From the pool center, trace a straight line to the oval perimeter (*Image 27*)



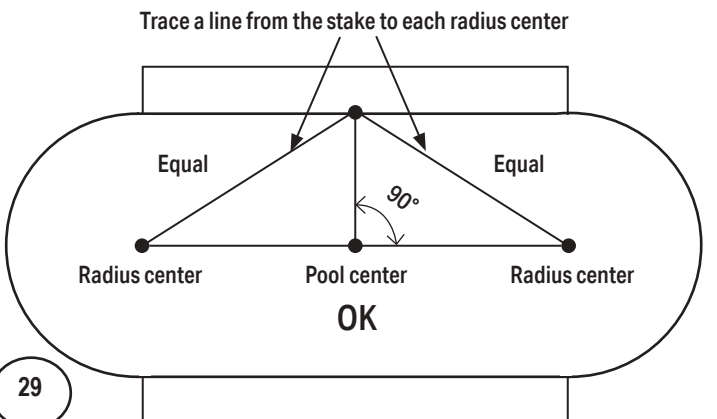
27

- b. In order to ensure that your line is perpendicular, measure from each radius center to the top of your line. The measurement should be exactly the same on each side. If not, adjust until both are the same and you will now have a perfect perpendicular line, therefore creating a perfect 90 degree angle. (*Images 28 & 29*)



28

- c. Repeat the first two steps to create a perpendicular line in order to create a perfect 90 degree angle for the other side of the oval pool.



29

Important Note:

It is very important that when you follow the instructions on the next page, that you apply the next steps to only one side of the pool at a time. It is imperative that you follow the next steps in order.

Section 1

GENERAL INSTRUCTIONS - OVAL POOLS GROUND PREPARATION

D. CONT. GROUND PREPARATION FOR THE BUTTRESS

2. Digging the buttress trenches

Odd number of trenches;

- a. If your oval pool contains an even number of buttresses, please see next page for Even number trenches. If your oval pool contains an odd number, position the buttress temporarily on the straight center line from the middle. *(Image 30)*

Note: Odd number means the total of sections on one side, for example a 12 x 24 pool has Odd number.

- b. Trace around the buttress and dig a trench. Dig the trench 3 to 5 inches deep by 10 inches wide and the length of 52 1/2 inches long. *(Image 31)*
- c. The bottom plates for the straight section must be at the same level with the crushed stone. If you do not put crushed stone, understand that the bottom plates all around the pool must be at the same level. The warranty will void if you do not comply with this requirement.
- d. Apply crushed stone at 1 inch, then compress. Place a concrete block of 2 inches at each end of the trench.



Important Note:

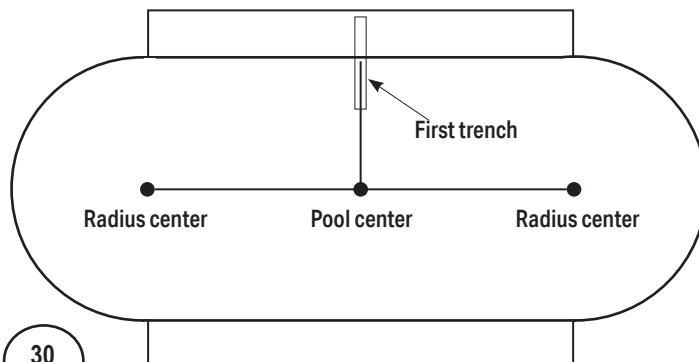
This first buttress that you install will be the reference to install the remaining buttresses, therefore ensure that measurements and placements are exactly where they need to be.

- e. Once the block is installed, measure the depth of the trench, it must be 2 inches deep. Make sure the block is level by using an optical level. Ensure that both blocks are at the same level.
- f. Place the buttress structure on the blocks and ensure that each buttress is parallel to each other. *(Image 32)*

See Diagrams:

Please verify your pool's footprint for correct measurements on the last pages of this Section 1. Please ensure to verify the footprint of your pool size for the correct placement.

Odd number of sections



Section 1

GENERAL INSTRUCTIONS - OVAL POOLS GROUND PREPARATION

D. CONT. GROUND PREPARATION FOR THE BUTTRESS

Even number of buttresses;

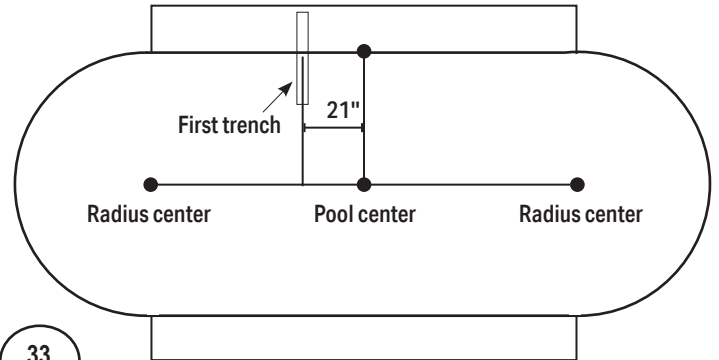
- If your oval pool contains an even number of buttresses, measure from the center line out 21". Position the buttress temporarily off the straight center line from the middle. *(Image 33)*
Note: Even number means the total of sections on one side, for example a 15 x 30 pool has Even number.
- Trace around the buttress and dig a trench. Dig the trench 3 to 5 inches deep by 10 inches wide and the length of 52 1/2 inches long. *(Image 34)*
- The bottom plates for the straight section must be at the same level with the crushed stone. If you do not put crushed stone, understand that the bottom plates all around the pool must be at the same level. The warranty will void if you do not comply with this requirement.
- Apply crushed stone at 1 inch, then compress. Place a concrete block of 2 inches at each end of the trench.

Important Note:

This first buttress that you install will be the reference to install the remaining buttresses, therefore ensure that measurements and placements are exactly where they need to be.

- Once the block is installed, measure the depth of the trench, it must be 2 inches deep. Make sure the block is level by using an optical level. Ensure that both blocks are at the same level.
- Place the buttress structure on the blocks and ensure that each buttress is parallel to each other. *(Image 35)*

Even number of sections



Section 1

GENERAL INSTRUCTIONS - OVAL POOLS GROUND PREPARATION

D. CONT. GROUND PREPARATION FOR THE BUTTRESS

4. Finish trenches and patio stone installation

- a. Continue to finish one by one the remaining trenches with patio blocks for the buttress installation. It is important to finish one side of the oval only.
- b. Once all the trenches are dug and buttresses with patio stones are installed, **on the one side only**. Remeasure each buttress to ensure that they are all straight and that the buttress is perpendicular. *(Image 36)*
- d. From the first buttress, check to see that second buttress is 42" from center and continue to ensure that all measurements between each buttress is equal.
- e. *Now add crushed stone around the buttress (do not cover) and be careful not to move the buttress. Take measurements at every upright and then check measurement again. *(Image 37)*



Section 1

GENERAL INSTRUCTIONS - OVAL POOLS GROUND PREPARATION

E. ASSEMBLING THE BUTTRESS STRAPS AND PRESSURE PLATES

1. Assemble the pressure plates

- Place crushed stone or soil where the pressure plates are going to be placed. This will have the effect of supporting the pressure plate.
- When placing the pressure plates use the side that is corrugated and face it up, the flat side needs to face the ground. *(Image 38)*
- Put the pressure plates on the tip of the strap end channel to 20 1/2" from the steel upright. *(Image 39)*
- For the alignment of the pressure plate there is a hole at less than one inch from the edge of the plate. This hole is facing the vertical part of the steel structure. Once the plates are in position, secure them to the channels using three #12x3/4 self-tapping screw (99-0123), (you will see four holes but use only three). *(Image 39)*

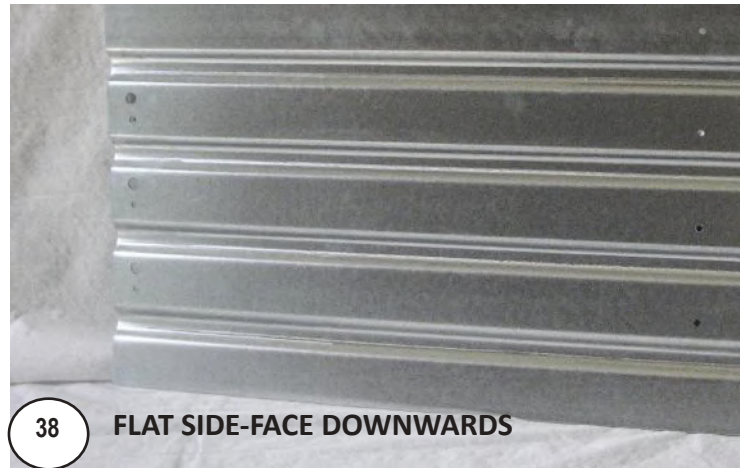
Note: Be sure that the pressure plate fits so that the end channel does not show, the pressure plate will extend about one inch past the end of the channel towards the center of the pool.

IMAGE 39 is CORRECT
IMAGE 40 IS INCORRECT

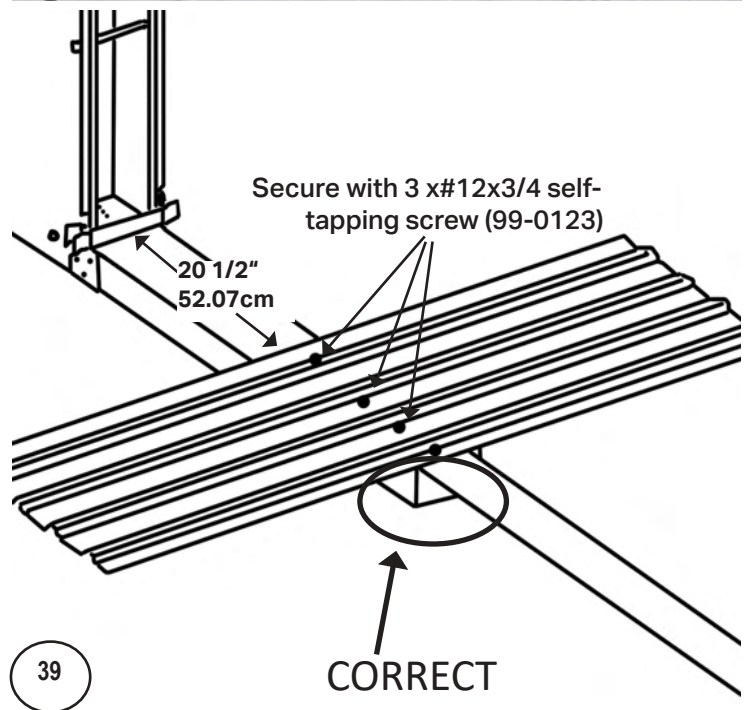


Important Note:

If the holes do not align, DO NOT drill holes! Verify the alignment of the structures.

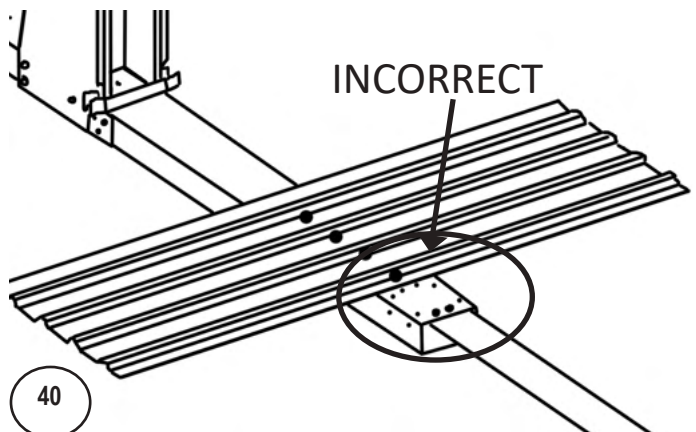


38 FLAT SIDE-FACE DOWNWARDS



39

CORRECT



40

INCORRECT

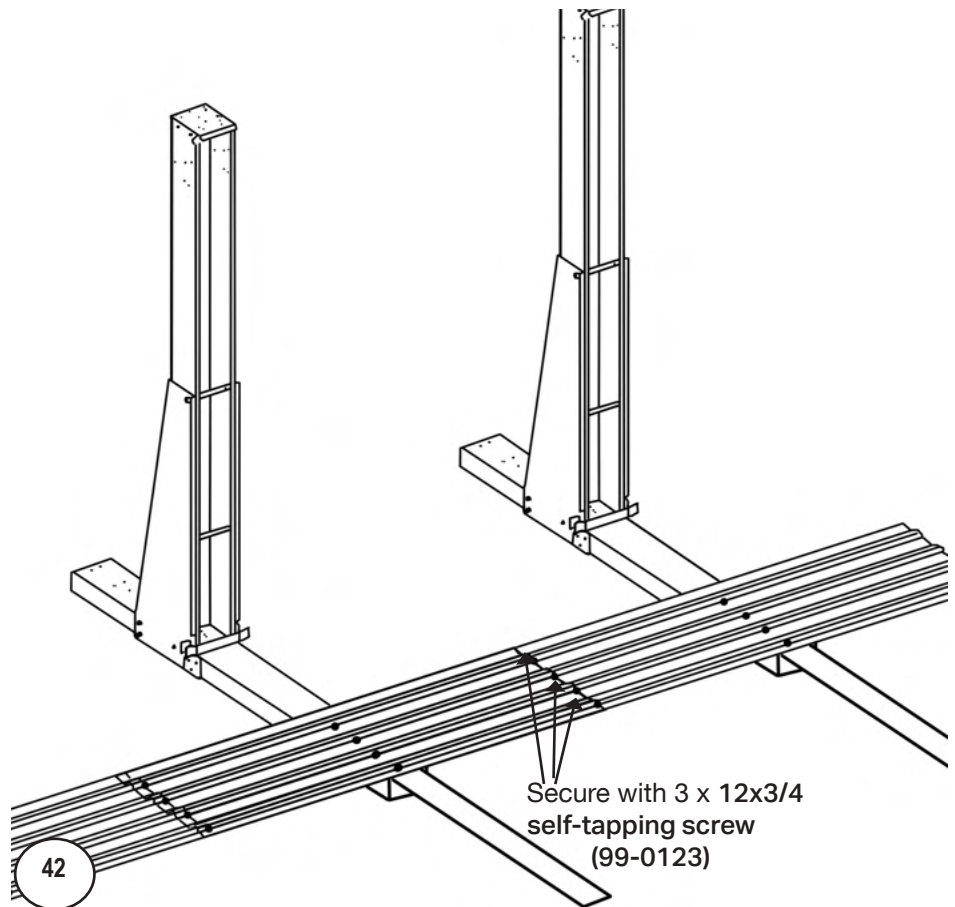
Section 1

GENERAL INSTRUCTIONS - OVAL POOLS GROUND PREPARATION

E. CONT. ASSEMBLING THE BUTTRESS STRAPS AND PRESSURE PLATES

- e. Once all plates are secured to the channels, the plates should overlap each other. Secure the plates to each other using **three #12x3/4 self-tapping screw (99-0123)** in each overlapping area. (*Images 41 & 42*)

You may now go back to step 2-Digging the buttress trenches, to continue for the remaining side of the oval.



Important Note:

If the holes do not align, **DO NOT** drill holes! Verify the alignment of the structures.

Section 1

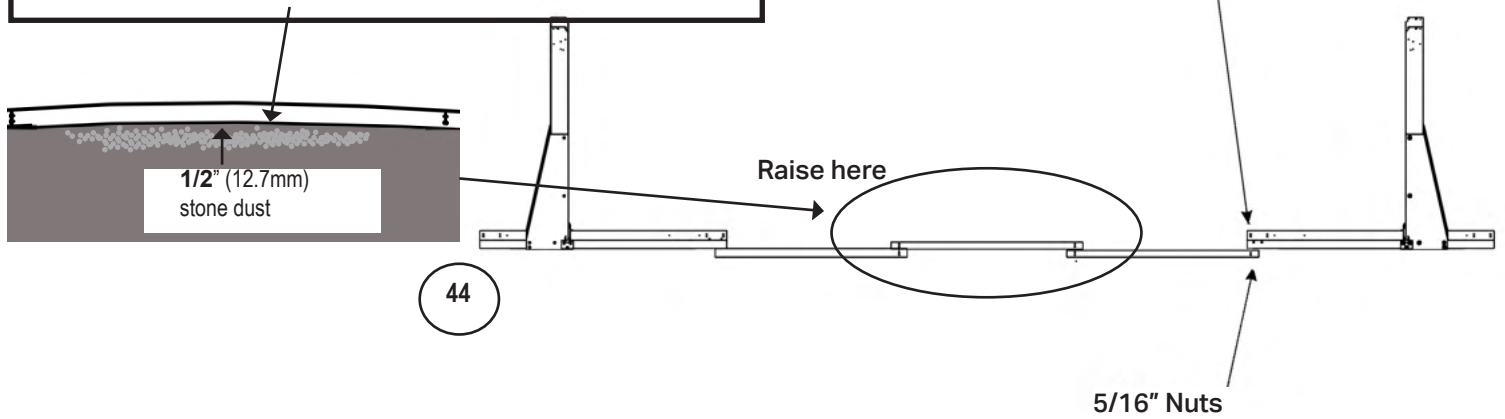
GENERAL INSTRUCTIONS - OVAL POOLS GROUND PREPARATION

E. CONT. ASSEMBLING THE BUTTRESS STRAPS AND PRESSURE PLATES

2. Assembling remaining straps

- Once both sides of the buttresses have been installed perfectly, check that all is measured perfectly.
- Add the remaining straps that join across to other straps with $1/2"$ x $5/16$ screws (99-0026) and nuts (99-0027). Make sure the screw heads are facing upward. Remeasure and tighten screws. Recheck measurement again. (Images 43 & 44)

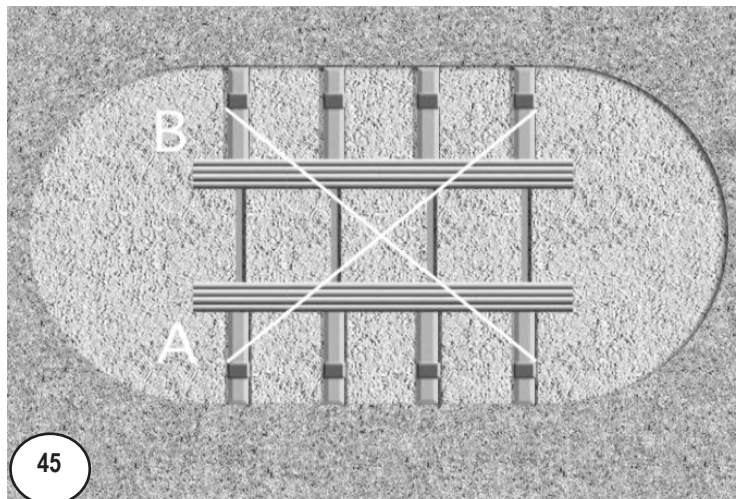
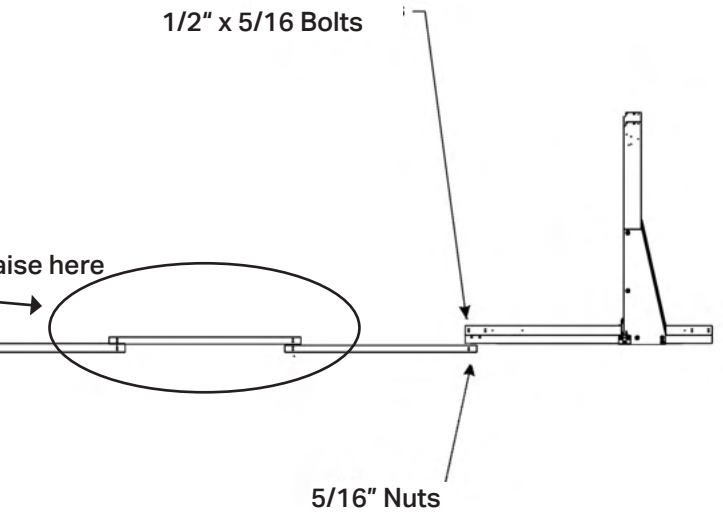
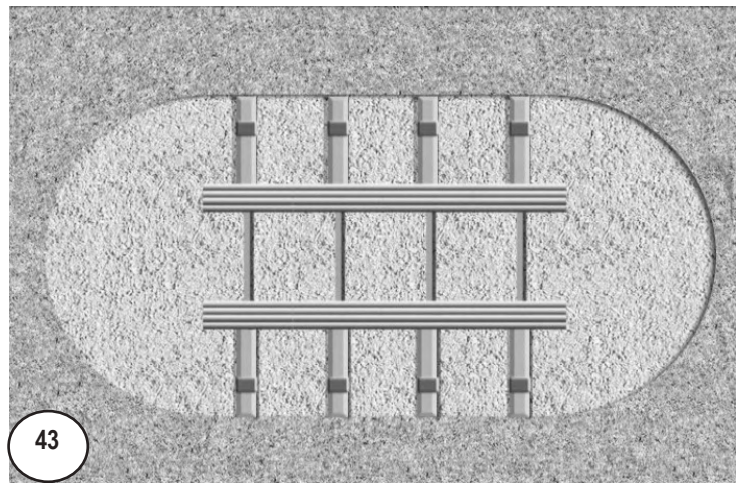
Important Note:
Ensure that the straps raise higher in the middle, therefore you may need to put a little more stone dust underneath, approx $1/2"$. If you fail to do this the straps will lift when the pool is filled with water.



- Measure the two intersecting axes to ensure that the two straight sections are parallel and square. (Image 45)

Note:
It may feel tedious to be always measuring, but this only helps to ensure proper installation and avoiding problems further on.

3. Proceed to Section 2 - Assembling the Pool Base

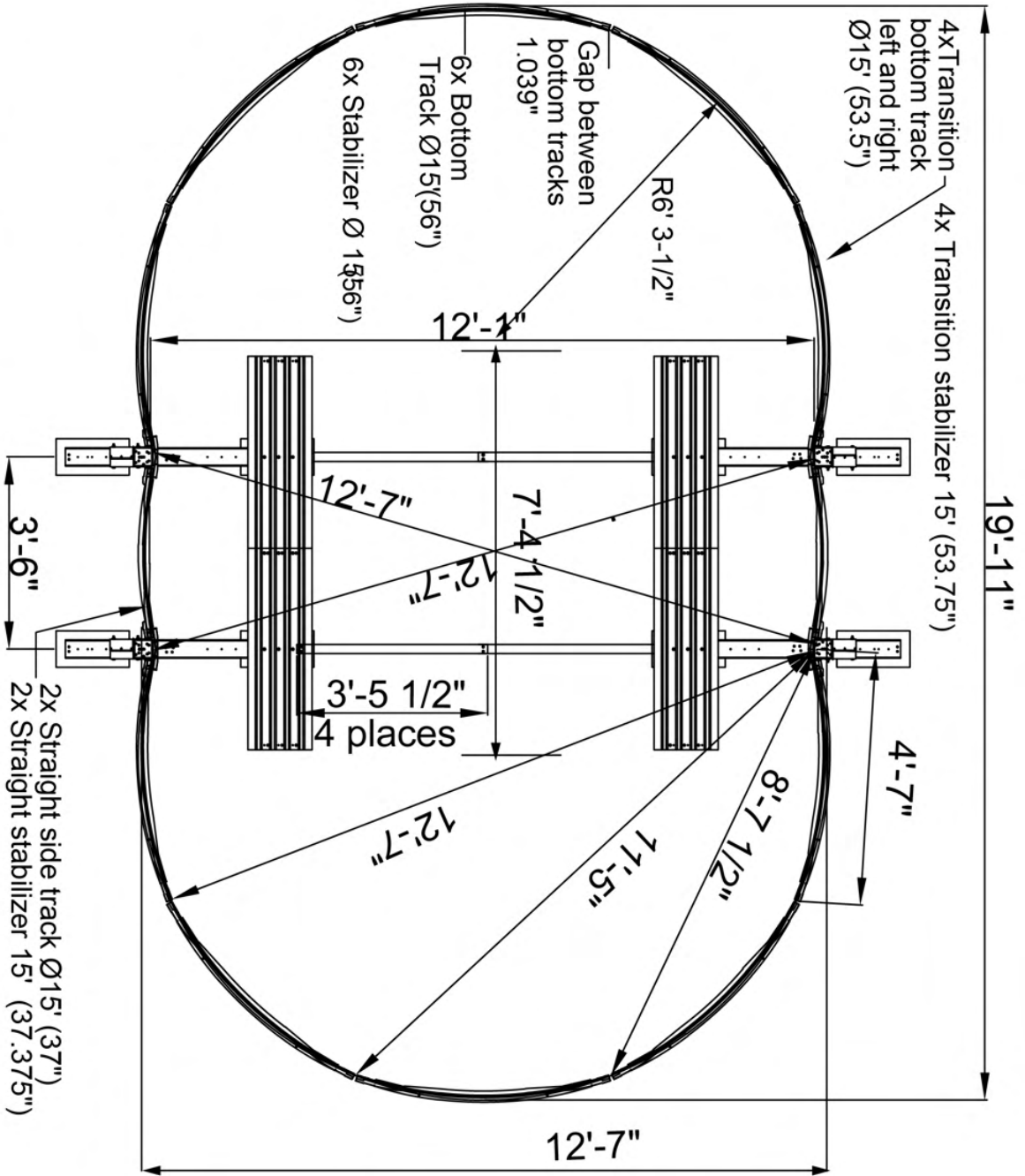


**THE FOLLOWING SECTION
CONTAINS YOUR POOL'S FOOTPRINT**

**Section
1**

**GENERAL INSTRUCTIONS - OVAL POOLS
GROUND PREPARATION**

OVAL FOOTPRINT - 12 x 20



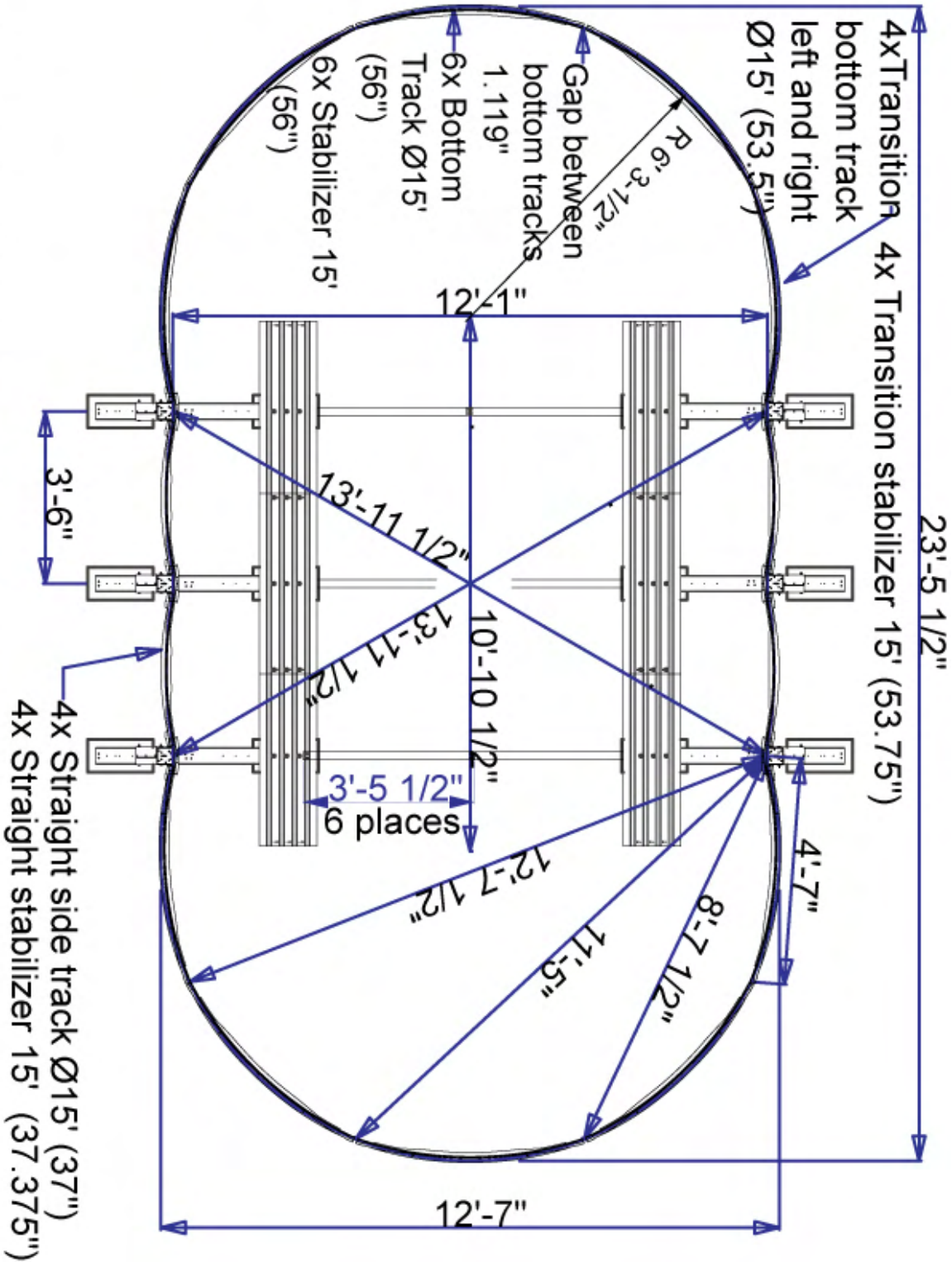
Perimeter 652" (hole to hole)-Track length measured in track slot.
All dimensions are in inches.

Manufacturer's tolerances and field condition may result in dimensional variations.

**Section
1**

**GENERAL INSTRUCTIONS - OVAL POOLS
GROUND PREPARATION**

OVAL FOOTPRINT - 12 x 24



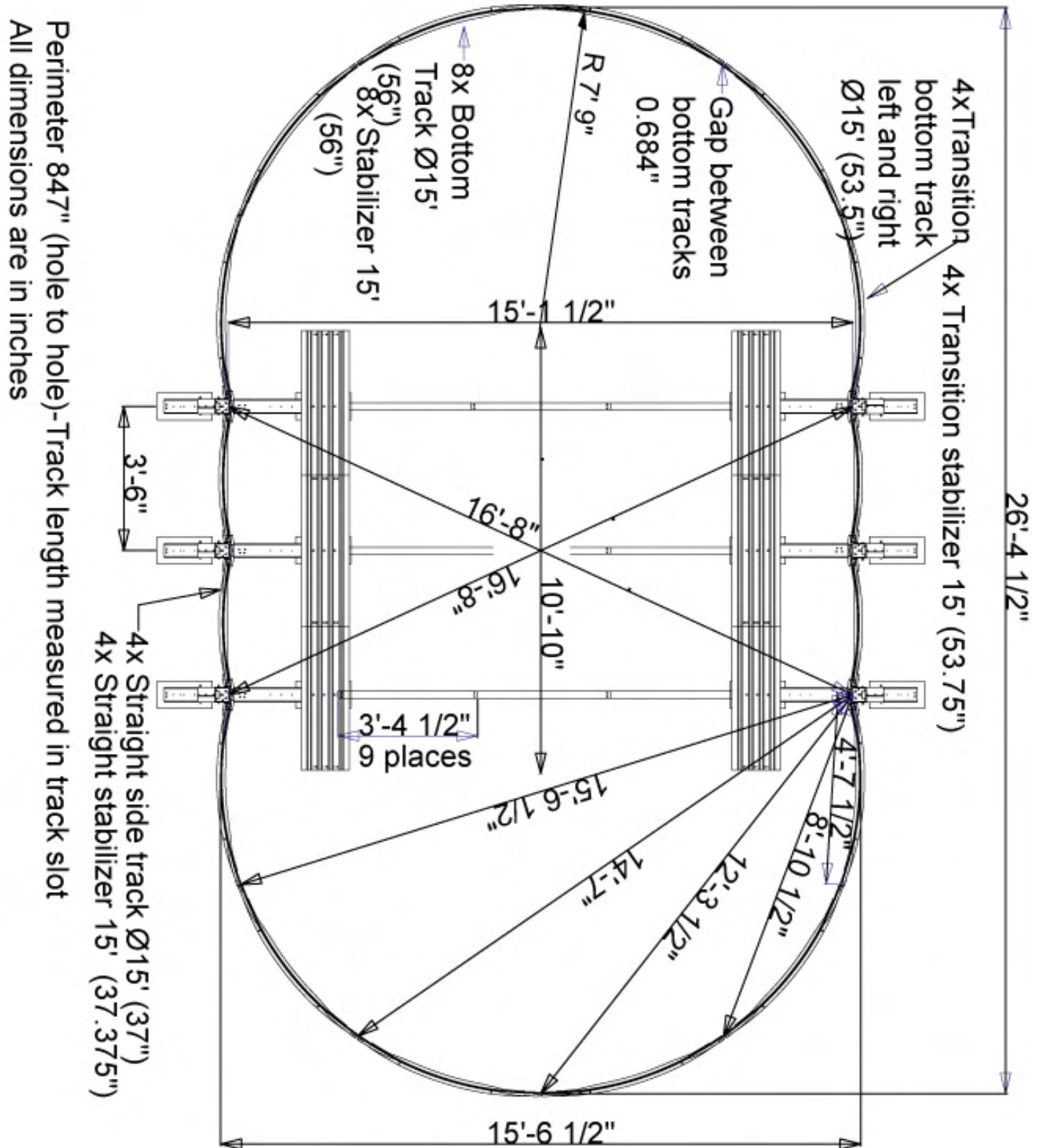
Perimeter 737" (hole to hole)-Track length measured in track slot
All dimensions are in inches

Manufacturer's tolerances and field condition may result in dimensional variations.

**Section
1**

**GENERAL INSTRUCTIONS - OVAL POOLS
GROUND PREPARATION**

OVAL FOOTPRINT - 15 x 26

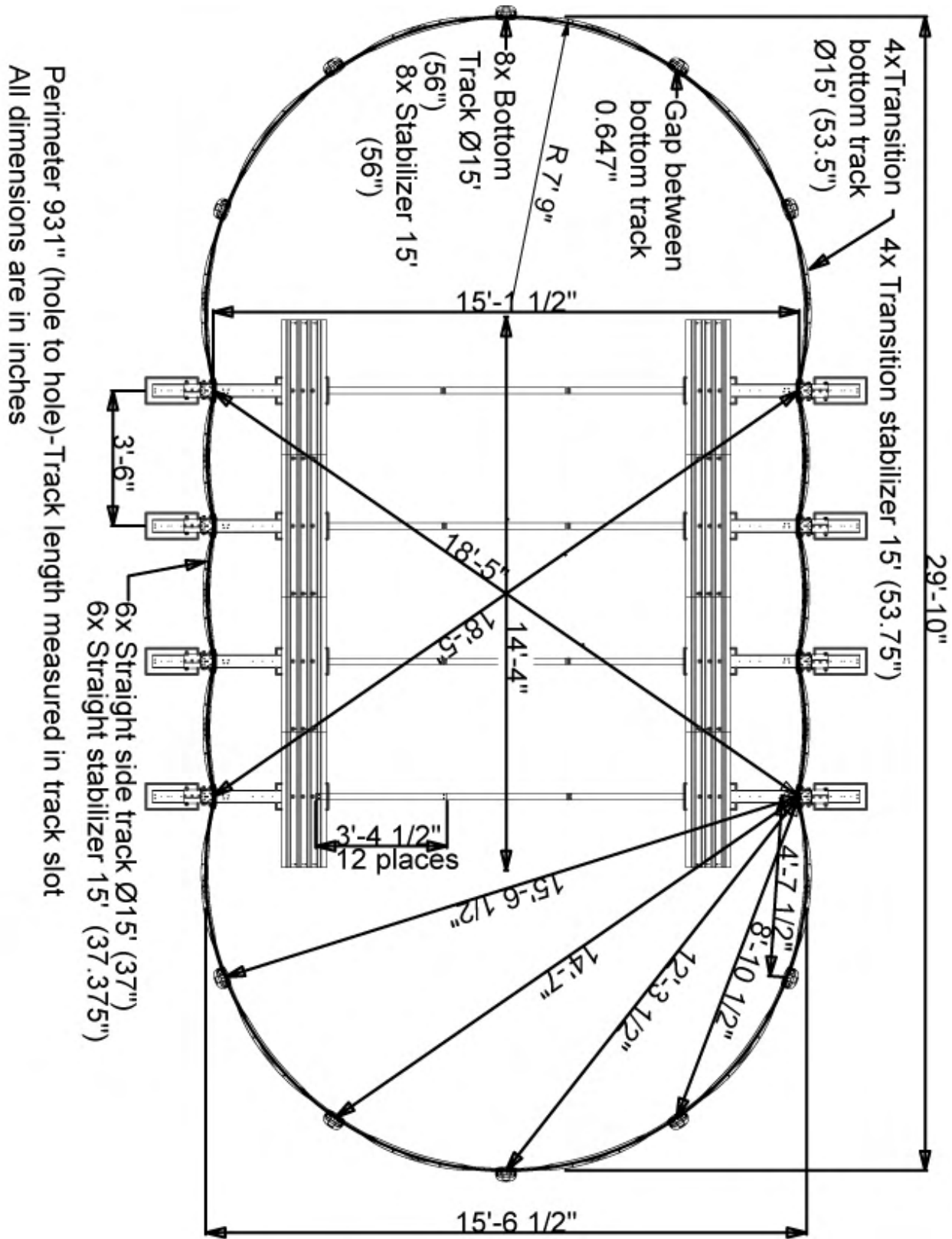


Manufacturer's tolerances and field condition may result in dimensional variations.

**Section
1**

**GENERAL INSTRUCTIONS - OVAL POOLS
GROUND PREPARATION**

OVAL FOOTPRINT - 15 X 30



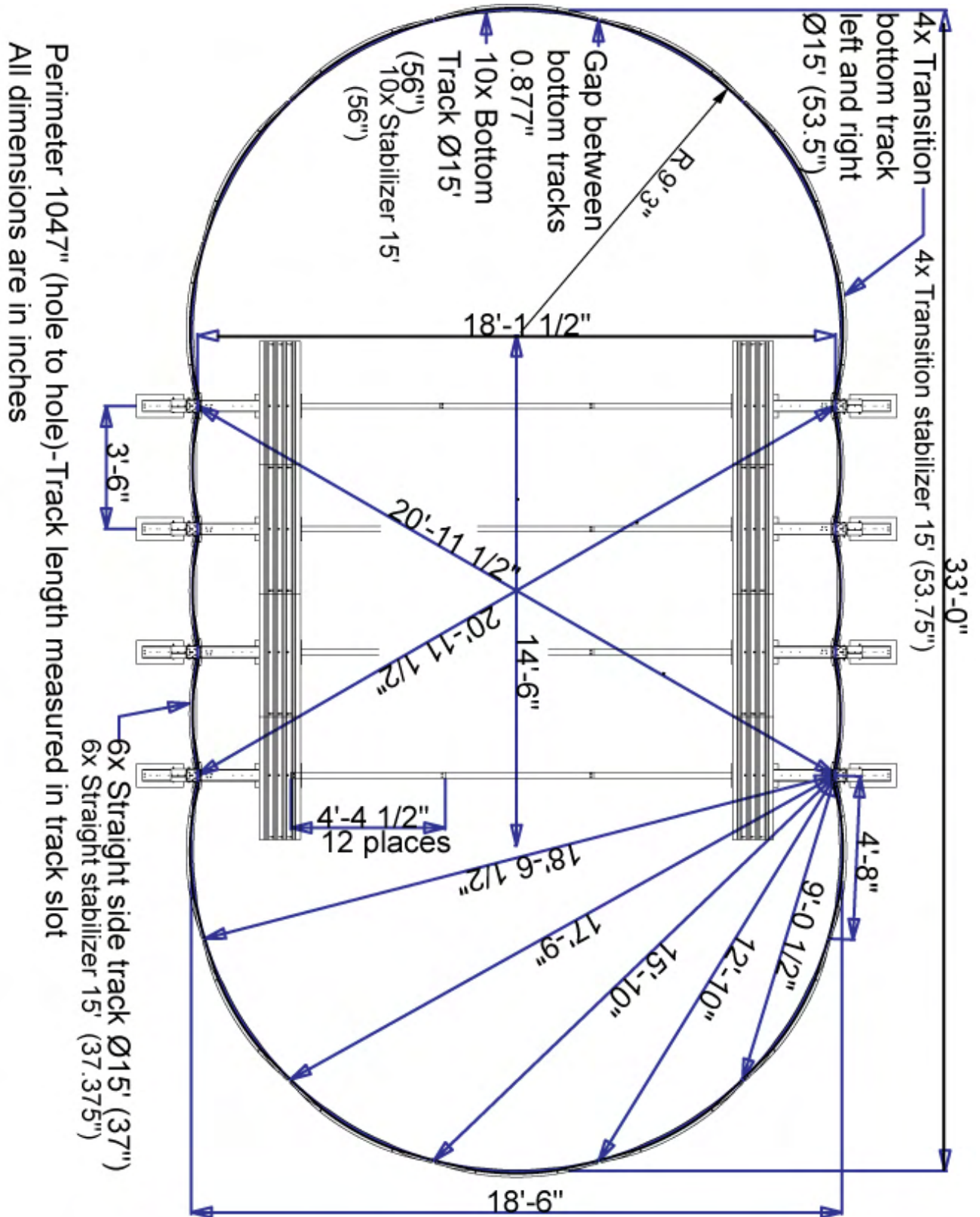
Perimeter 931" (hole to hole)-Track length measured in track slot
All dimensions are in inches

Manufacturer's tolerances and field condition may result in dimensional variations.

**Section
1**

**GENERAL INSTRUCTIONS - OVAL POOLS
GROUND PREPARATION**

OVAL FOOTPRINT - 18 X 33



Perimeter 1047" (hole to hole)-Track length measured in track slot
All dimensions are in inches

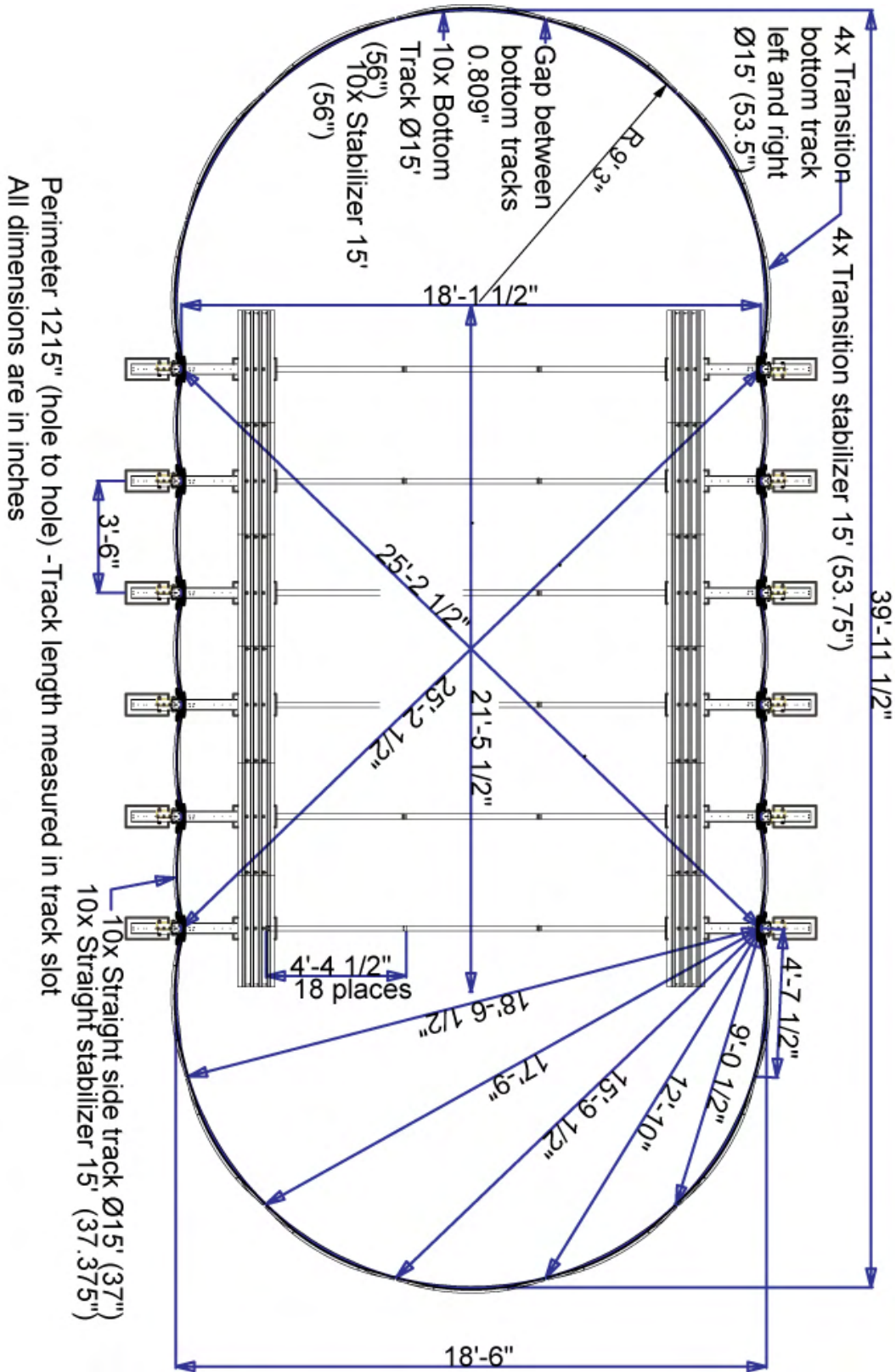
Manufacturer's tolerances and field condition may result in dimensional variations.

No Diving or Jumping. Observe all Safety Rules

**Section
1**

**GENERAL INSTRUCTIONS - OVAL POOLS
GROUND PREPARATION**

OVAL FOOTPRINT - 18 X 40



Manufacturer's tolerances and field condition may result in dimensional variations.

No Diving or Jumping. Observe all Safety Rules

Section 2

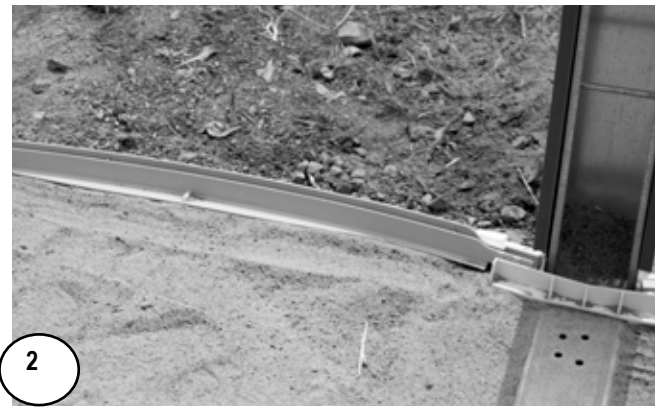
GENERAL INSTRUCTIONS - OVAL POOLS ASSEMBLING THE POOL BASE

A. INSTALLATION OF BOTTOM PLATES AND BOTTOM RAILS

1. Bottom rails - Straight section

⚠ Important Note:
PLEASE SEE NOTE ON NEXT PAGE IN REGARDS TO THE DIFFERENT LENGTHS OF BOTTOM RAILS.

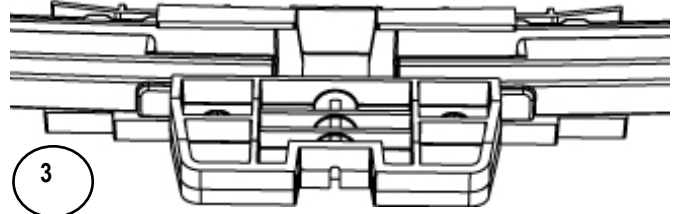
- a. Remove dust and dirt between the bottom plate and the strap end channel.
- b. Install the straight bottom rail between the steel structures. The bottom rail has to fit inside the bottom plate, remove any dirt or small rocks during installation. *(Images 1 & 2)*
- c. Install the transition (corner) rail between the straight and the round sections of the pool.



2. Bottom plates and rails - Round section

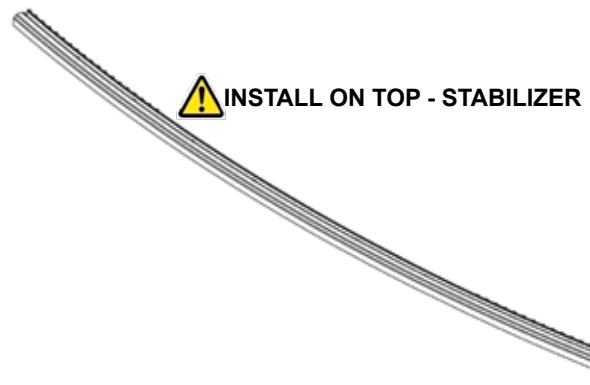
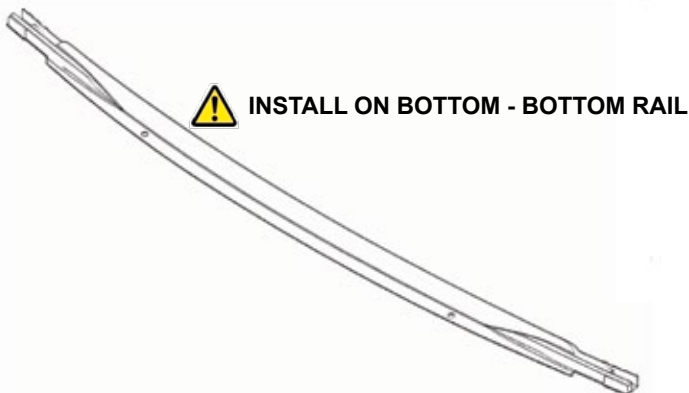
- a. Continue the installation of the bottom plates of the round sections. Insert the end of each bottom rail into the bottom plate. Leave a gap between the ends of the bottom rails. *(Image 3)*

See Diagrams:
Please refer to your pool's footprint (Section 1, last pages) for gap measurement.



IMPORTANT NOTE - IDENTIFY PARTS BEFORE INSTALLATION

These two parts are not interchangeable. Installing the stabilizer at the bottom will require full disassembly to correct. Before assembling, identify each part using the images below:



Section
2

GENERAL INSTRUCTIONS - OVAL POOLS
ASSEMBLING THE POOL BASE

A. CONT. INSTALLATION OF BOTTOM PLATES AND BOTTOM RAILS



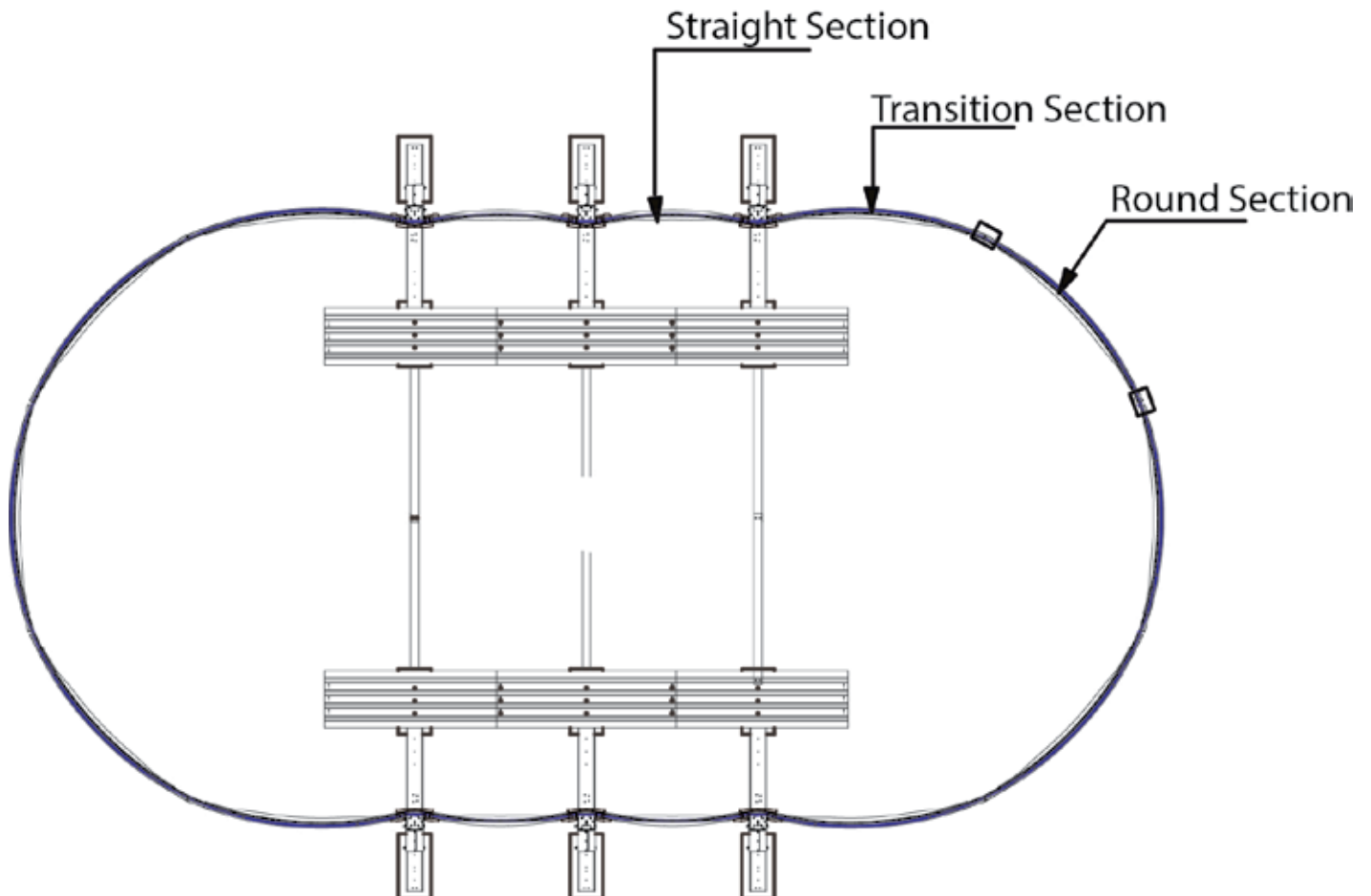
IMPORTANT NOTE

There are three types of bottom rails;

- 1- Straight Section
- 2- Round Section
- 3- Transition (End of the Straight Section).

To differentiate which bottom rail is which;

- The Straight Section will measure the shortest in length
- The Transition Section will measure longer than the straight section, but shorter than the round section.
- The Round Section will be the longest measurement.

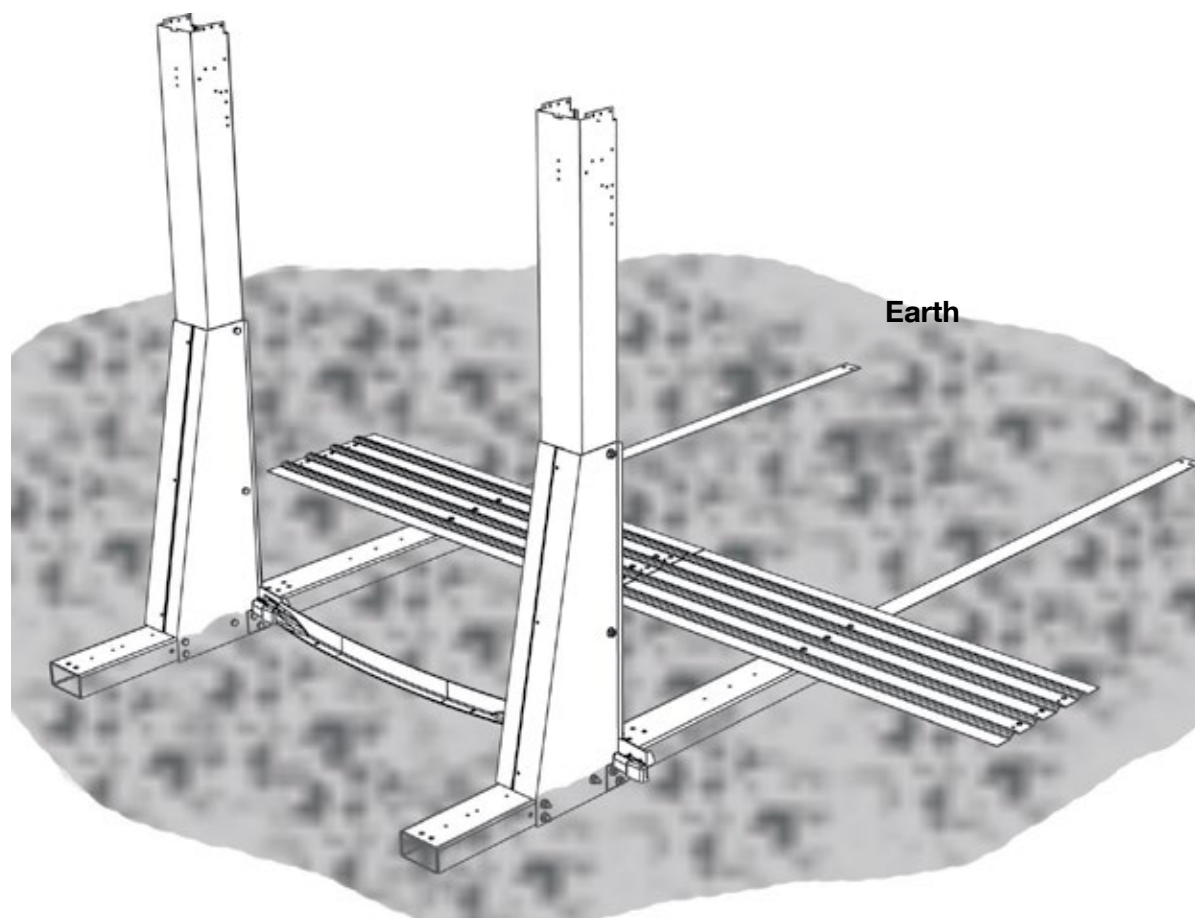


**Section
2**

**GENERAL INSTRUCTIONS - OVAL POOLS
ASSEMBLING THE POOL BASE**

A. CONT. INSTALLATION OF BOTTOM PLATES AND BOTTOM RAILS

- b. The uprights on the straight section will now be finished.



Section 2

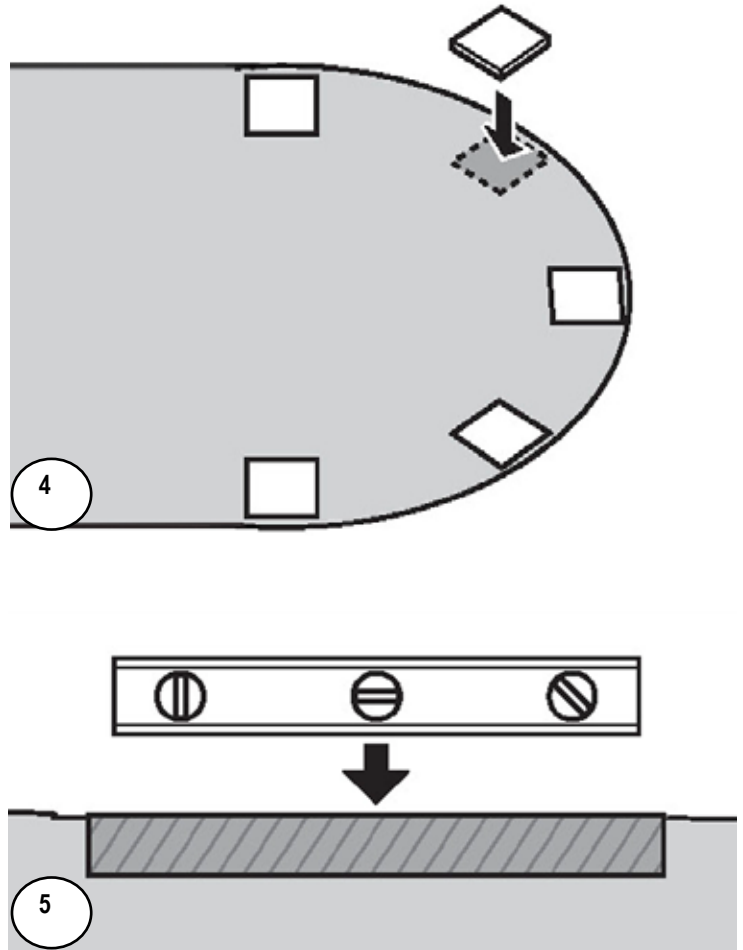
GENERAL INSTRUCTIONS - OVAL POOLS ASSEMBLING THE POOL BASE

A. CONT. INSTALLATION OF BOTTOM PLATES AND BOTTOM RAILS

3. Patio Stones (Recommended) For Round Section

- Concrete patio stones may be placed at the base of each upright of your pool. **(Image 4)**
- Each bottom plate will show the location for a patio stone. Make a mark in the ground at each base plate.
- Remove the bottom rails and bottom plates and lay out the patio stones around the circle where the bottom plates were.
- The patio stones must be sunk into the ground so the tops are flush with the soil around them. **Use the carpenter's level to make sure the patio stones are perfectly level and flush with the ground.** Use either the carpenter's level and a 2-by-4 (5cm x 10cm) wood plank, or the optical level between patio stones to make sure the stones are level with each other. **(Image 5)**
- Do not install blocks or rails on loose sifted soil or sand. There must be no space between the ground and the bottom of the rails. All patio blocks must be flush with the ground, solid and level with each other in all directions.

NOTE: Installing patio blocks is recommended. Patio blocks may shift due to temperature changes.



Important Note:

Make sure the patio stones are perfectly level and flush with the ground. All patio blocks must be flush with the ground, solid and level with each other in all directions.

Section 2

GENERAL INSTRUCTIONS - OVAL POOLS ASSEMBLING THE POOL BASE

A. CONT. INSTALLATION OF OF BOTTOM PLATES AND BOTTOM RAILS

4. Measure the perimeter of your pool

- a. Measure the perimeter of your pool and hammer nails into the ground to keep the bottom rails into place. These nails are to be removed only at the last step-when filling up the pool. **(Image 6)**



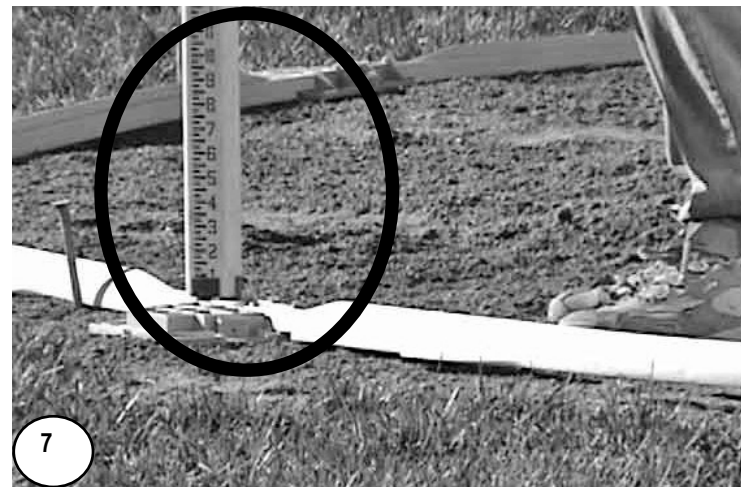
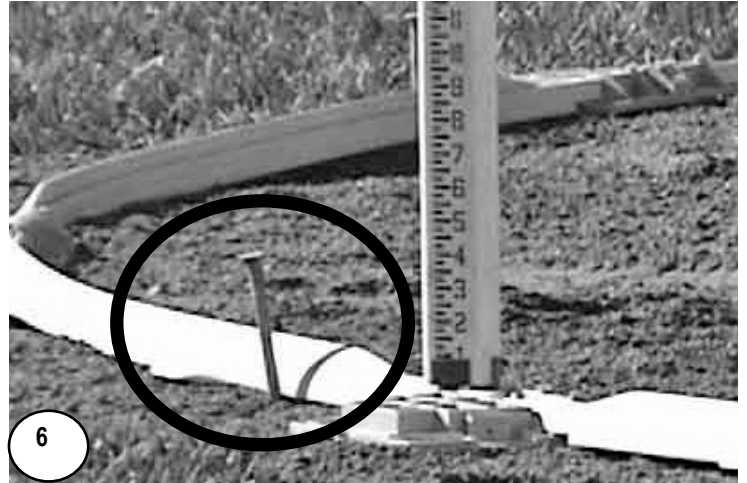
Important Note:

Use a soft measuring tape to measure around the perimeter of the pool. Measure from the inside of the bottom rail, the measurement should equal the wall length.

- b. Verify the height of each bottom plate with an optical level. Ensure that they are the same height. **(Image 7)**

5. Fill inside the pool area

- a. Pour sifted sand in the centre of your pool. Ensure that you will have enough to build a 3" thick bed of sand across the entire inside of the pool (wall-to-wall) to form your base and a 4" angle of sand on top of the 3" sand base (total sand cove height of 7") where the base meets the pool wall. **(Image 8)**
 - Foam pool cove can be substituted for the 4" angle of sand placed on top of the 3" sand base.



Section 2

GENERAL INSTRUCTIONS - OVAL POOLS ASSEMBLING THE POOL BASE

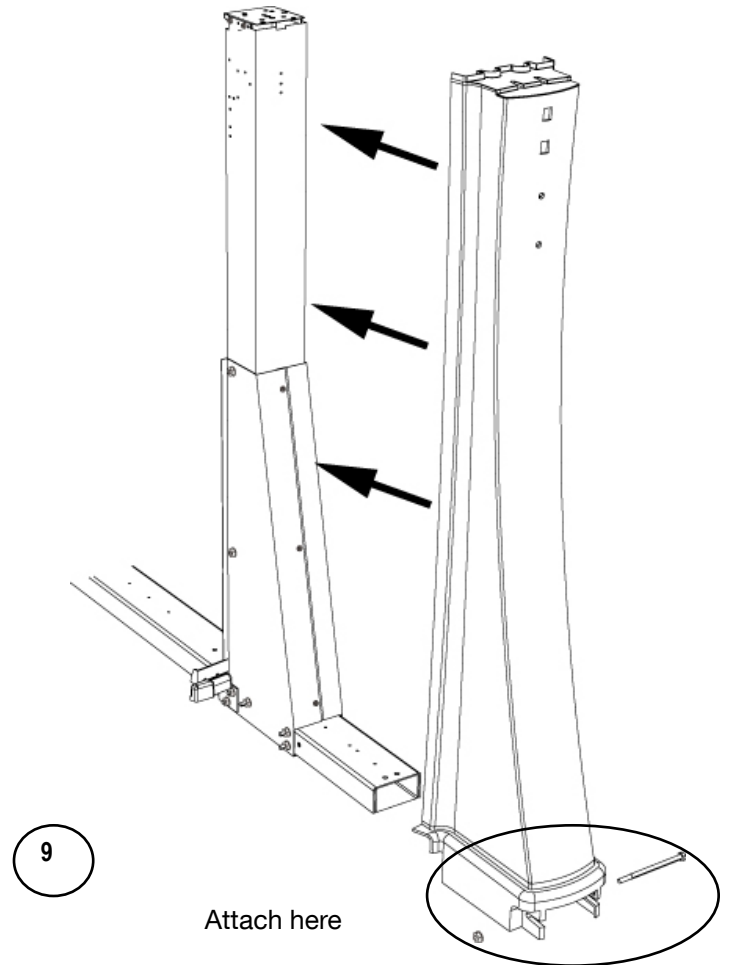
B. INSTALL UPRIGHTS FOR STRAIGHT SECTION

1. Installation of uprights - straight section

- Fix the upright cover over the buttress. **(Image 9)**
- Attach the bottom of cover with a 5 1/2" x 1/4" bolt (2PCB520) and 1/4" nut (WI-2F65422). **(Image 10)**

(You will insert the uprights for the round section after the wall installation).

2. Proceed to Section 3 - Assembling the Pool Wall



Section 3

GENERAL INSTRUCTIONS - OVAL POOLS ASSEMBLING THE POOL WALL

A. SETTING UP THE POOL WALL

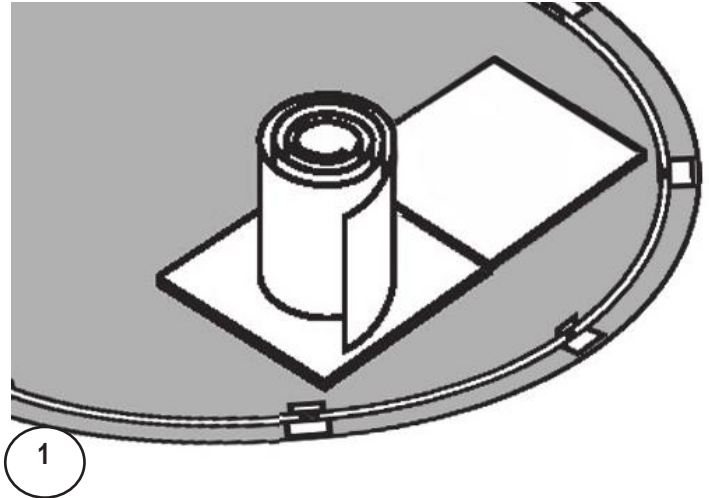
Do not attempt to install the pool wall in the wind, wait for a calm day.
It takes at least 3 people to install the pool wall.

1. Preparing for the wall installation

- Bring the following items into the middle of the pool foundation before you start uncoiling the pool wall: plywood, some extra sand or fine dirt to make the cove and a ladder to climb out after the wall is assembled.
- Make sure the skimmer and water return holes are located where you need them to be. The skimmer and water return holes are positioned towards the end of the wall, **(the section before where the wall started)**.

Important Note:

Wall edges could have exposed fibres or be sharp, skimmer and water return holes could also be sharp, it is important to wear gloves when installing.



Important Note:

Unlike the steel wall, the resin does not have corrugation. The resin wall is very strong once fully installed, but during installation the wall can be softer and easily damaged depending on the weather. Special care must be taken.

2. Set the pool wall in place

- Unpackage the pool wall and stand it on the plywood at the place close to where you need to install the skimmer. **(Image 1)**
(Remember the skimmer and water return holes will be placed at the section just before where you started the wall installation).
- Start unrolling the wall, guiding the bottom edge into the curved bottom rail. The starting end of the wall must be positioned in the center of a bottom plate, and the skimmer and return holes should be positioned where the pump and filter will be. **(Image 2)**

Important Note:

It is preferable to use very fine sand that is easily compacted. Be careful not to spill sand on the bottom rails.



Section 3

GENERAL INSTRUCTIONS - OVAL POOLS ASSEMBLING THE POOL WALL

A. SETTING UP THE POOL WALL

- c. As you erect the wall, install the stabilizers temporarily to obtain greater stability. You should also use heavy vinyl-covered hooks and rope to hold the wall steady. Ideally, however, you should work with several people. **(Image 3 & 4)**
- d. The resin wall has a protective film to protect the surface. You can remove it while installing the wall or at the end when the wall is fully installed. **(Image 5)**
- e. When uncoiling the wall, the skimmer and return holes are positioned toward the end of the wall.



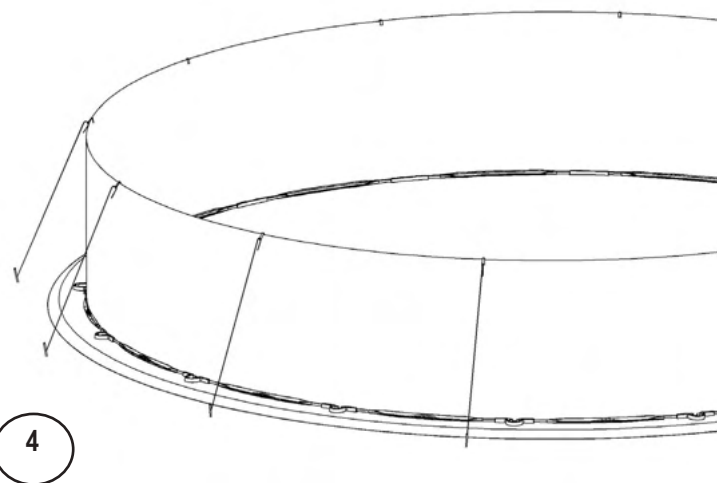
Important Note:

Wall edges could have exposed fibres or be sharp, it is important to wear gloves when installing.



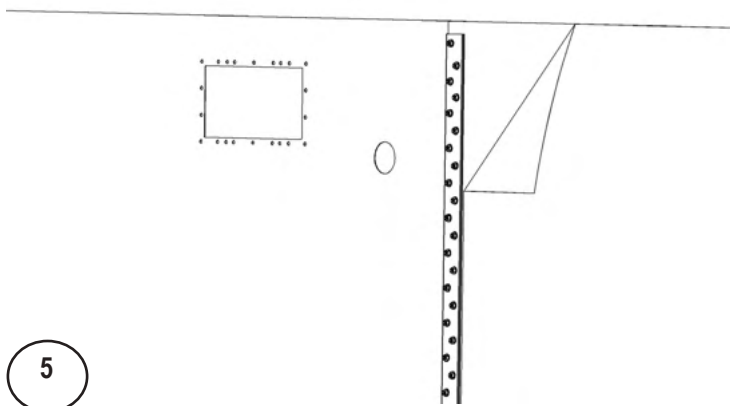
Remember Important Note:

The resin wall is very strong once fully installed, but during installation the wall can be softer and easily damaged depending on the weather. Special care must be taken.



Important Note:

It is preferable to use very fine sand that is easily compacted. Be careful not to spill sand on the bottom rails.



Section 3

GENERAL INSTRUCTIONS - OVAL POOLS ASSEMBLING THE POOL WALL

A. CONT. SETTING UP THE POOL WALL

3. Join the ends of the pool wall

Your resin wall has a different wall joint than the regular steel wall.

IT IS VERY IMPORTANT TO FOLLOW THESE INSTRUCTIONS:

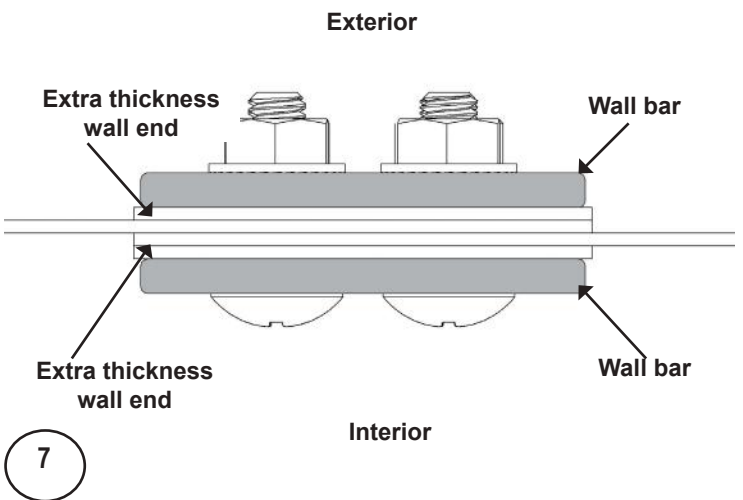
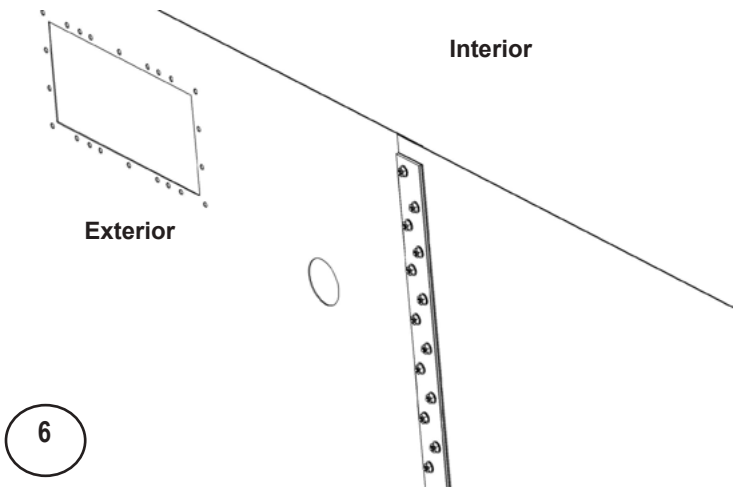
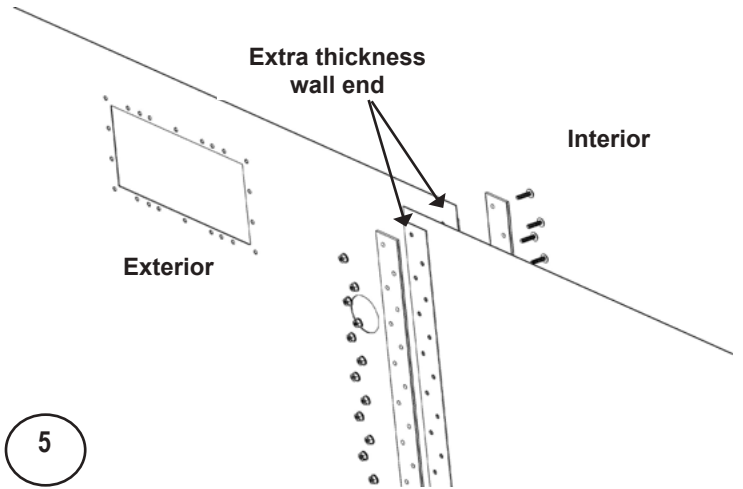
- a. All holes **must** be used. If screws are missing, please contact your customer service and they will send you missing screws. **(Images 5 & 6)**
- b. Each wall end has a extra bonded thickness. Attach wall ends with the two wall bars. Both **must** be used, one on the interior and one for the exterior of the wall. **(Image 7)**



Important Note:

Stick a screwdriver through two of the holes to help line up the ends of the wall.

When tightening the screws start from either the top and go down or vice versa. Do not start a few screws from top and a few from the bottom to meet in the middle, this can cause problems later on.



Section 3

GENERAL INSTRUCTIONS - OVAL POOLS ASSEMBLING THE POOL WALL

A. CONT. SETTING UP THE POOL WALL

c. Now that you have installed the wall you can be faced with three scenarios.

1) The wall joints align perfectly, if so, move on to the next step (c).

2) Your wall appears to be too short. **It is not.** However the space between the bottom rails must be decreased by lightly tapping the bottom plates towards the inside of the pool. You can also tap the wall lightly with both hands in the desired direction. **(Image 8)**

You **MUST** recheck the gaps at each and every one of the bottom rails so that they are all equal in gap size.

3) Your wall appears too long. **It is not.** However the space between the bottom rails must be increased by tapping the bottom plates lightly towards the outside of the pool or by tapping the wall with both hands in the desired direction. **(Image 9)**

You **MUST** recheck the gaps at each and every one of the bottom rails so that they are all equal in gap size.



Important Note:

Bottom rails must always be held in place in the bottom plate.

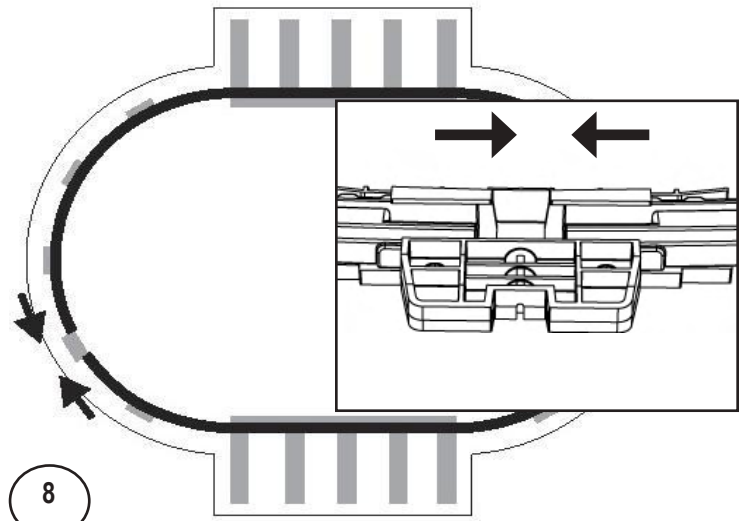


Important Note:

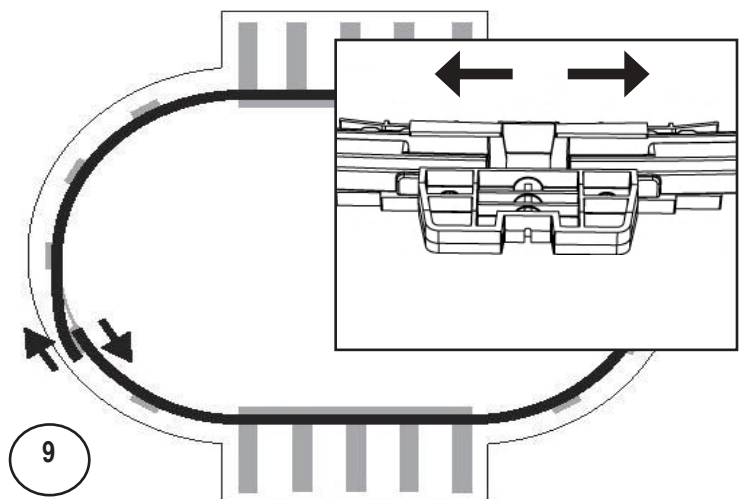
You **MUST** recheck the gaps at each and every one of the bottom rails so that they are all equal in gap size.

d. Adjusting the pool to the proper shape may cause the bottom rails and bottom plates to slip out of alignment a little. Recheck all of the bottom plates to make sure each one is centred where the bottom rails meet.

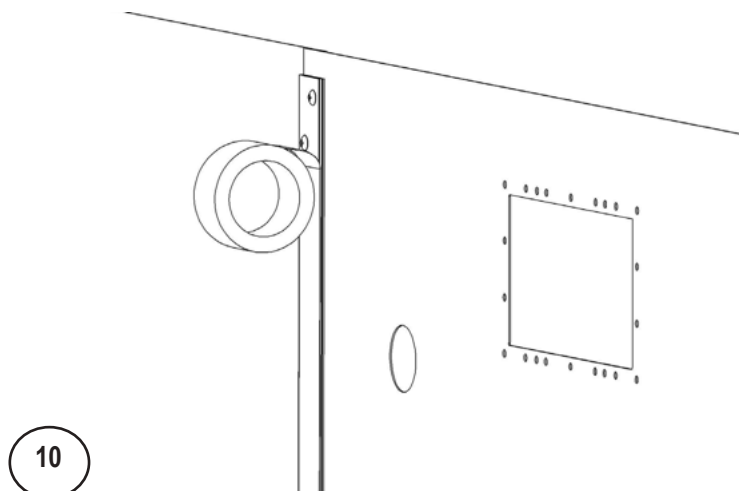
e. Cover the entire joint and bolts with duct tape on the interior of the wall. This will protect the liner from any punctures. **(Image 10)**



8



9



10

Section 3

GENERAL INSTRUCTIONS - OVAL POOLS ASSEMBLING THE POOL WALL

C. ASSEMBLING THE COVE

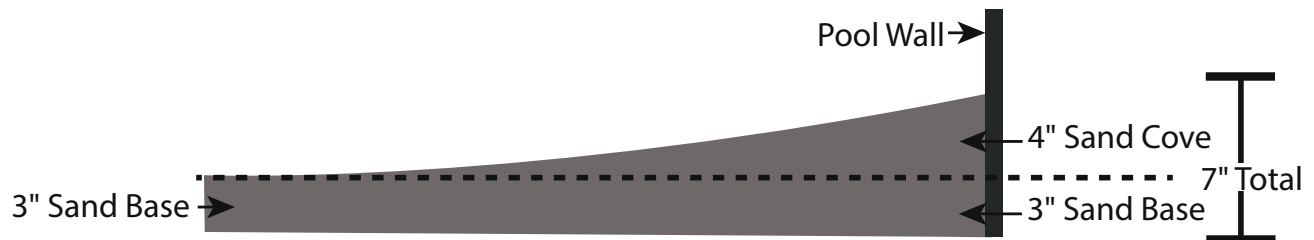
1. Make the cove

- Build a sand cove against the pool wall by creating a 4" angle of sand (on top of the 3" sand base) giving you a total sand cove height of 7 inches where the base meets the resin pool wall. This will prevent the liner from creeping under the wall, and it will also protect the liner from any metal edges of the pool framework. **THIS STEP IS NOT OPTIONAL, IT MUST BE DONE.**
- Water the sand to compact it and use a trowel to spread it evenly. **(Image 11)**



Important Note:

The cove is an important part of the pool structure. Take your time to make a complete, full-size cove.



IMPORTANT: If using foam cove, install it on top of the 3" sand base.

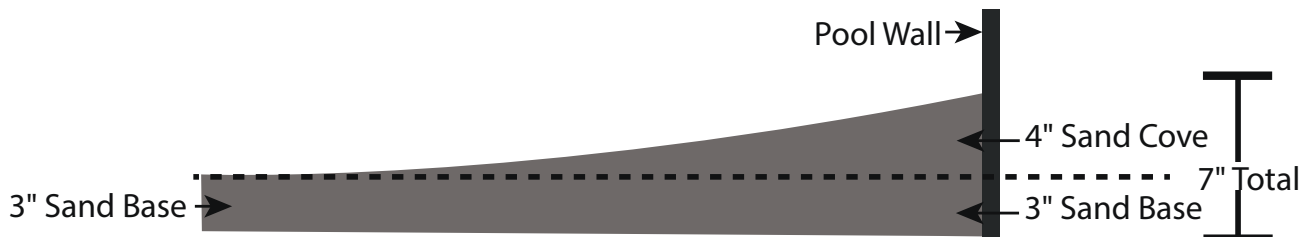
- Proceed to your liner instructions and after liner installation proceed to Section 4-Installing the pool frame.



IMPORTANT INFORMATION

It is **EXTREMELY IMPORTANT** to follow these instructions when you're installing a base underneath your pool liner. If this is done incorrectly your pool wall will break or become permanently damaged. Failure to follow these instructions will result in pool wall damage that voids the warranty.

Using fine mason sand (free of rocks and debris), lay a 3 inch thick bed of sand across the entire inside of the pool (wall-to-wall) to form your base. Build a sand cove against the pool wall by creating a 4" angle of sand or use foam pool cove (on top of the 3 inch sand base) giving you a total cove height of 7 inches where the base meets the pool wall. It is very important to make sure that the vinyl pool liner is supported by the proper sand base height. There should be **NO AIR SPACE** between the vinyl pool liner and the base that it's resting on.



IMPORTANT: If using foam cove, install it on top of the 3 inch sand base.



IMPORTANT INFORMATION ABOUT YOUR LINER

We do not make or supply liners for our pools.

Please contact your liner's manufacturer with questions or if instructions are not included with the liner.

Liner must be installed per the liner manufacturer's instructions.

Incorrect liner installation may void the warranty.

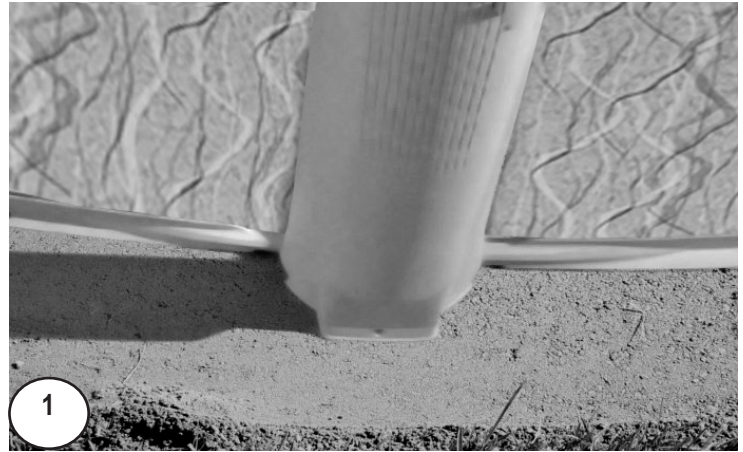
Section 4


GENERAL INSTRUCTIONS - OVAL POOLS ASSEMBLING THE POOL FRAME


A. INSTALLATION OF THE UPRIGHTS

1. Install the uprights - Round Section

- a. The wall joint is hidden behind the upright on most pools. This assures that the skimmer and skimmer return holes are not obstructed.
- b. Slide the base of the support post into the front part of the bottom plate. *(Image 1)*
- c. Secure the support post with a screw (2PPS112) in the opening at the base of the post. *(Image 2)*



 **Important Note:**
Use the ridges in the pool wall to make sure the upright column is straight up and down.

 **Important Note:**
Ensure to leave a gap between the two bottom rails.

See Diagram:
Please refer to your pool's footprint (Section 1, last page) for gap measurement.

Section
4

GENERAL INSTRUCTIONS - OVAL POOLS
ASSEMBLING THE POOL FRAME

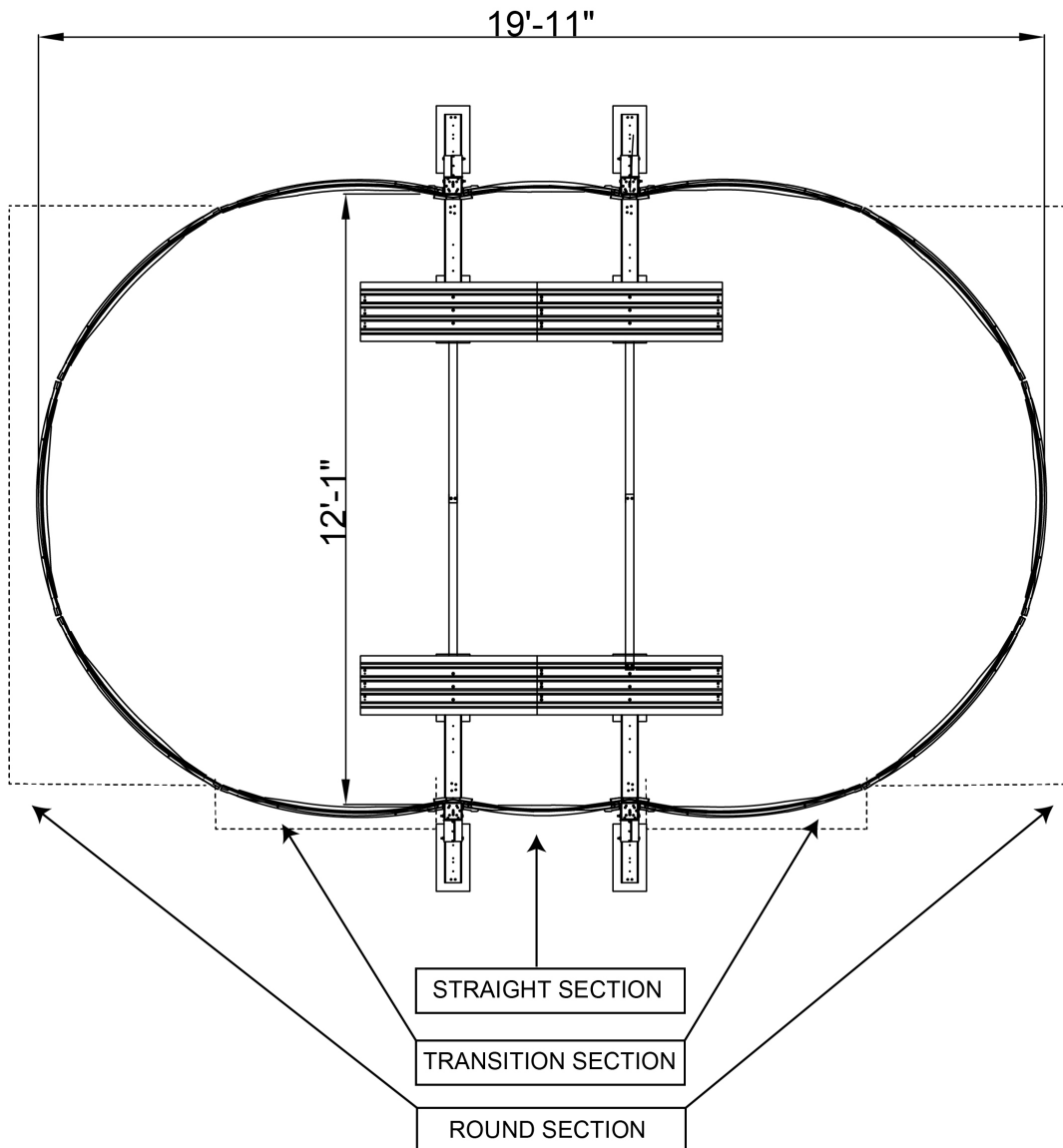


IMPORTANT NOTE :
ONLY FOR 12 X 20 AND 12 X 24
TOP LEDGE INSTALLATION

HOW TO DIFFERENTIATE THE ROUND, TRANSITION, AND STRAIGHT SECTION TOP LEDGES FOR THE 12 X 20 and 12 X 24 OVAL TOP LEDGE INSTALLATION

To install the top ledges on a 12 x 20 and 12 x 24 oval above ground pool, you will need to ensure that you are installing the correct size for each section. The diagram below is a footprint indicating the round, transition and straight section for a 12 x 20.

TOTAL OF 2 X STRAIGHT SECTION, 4 X TRANSITION SECTION, 6 X ROUND SECTION



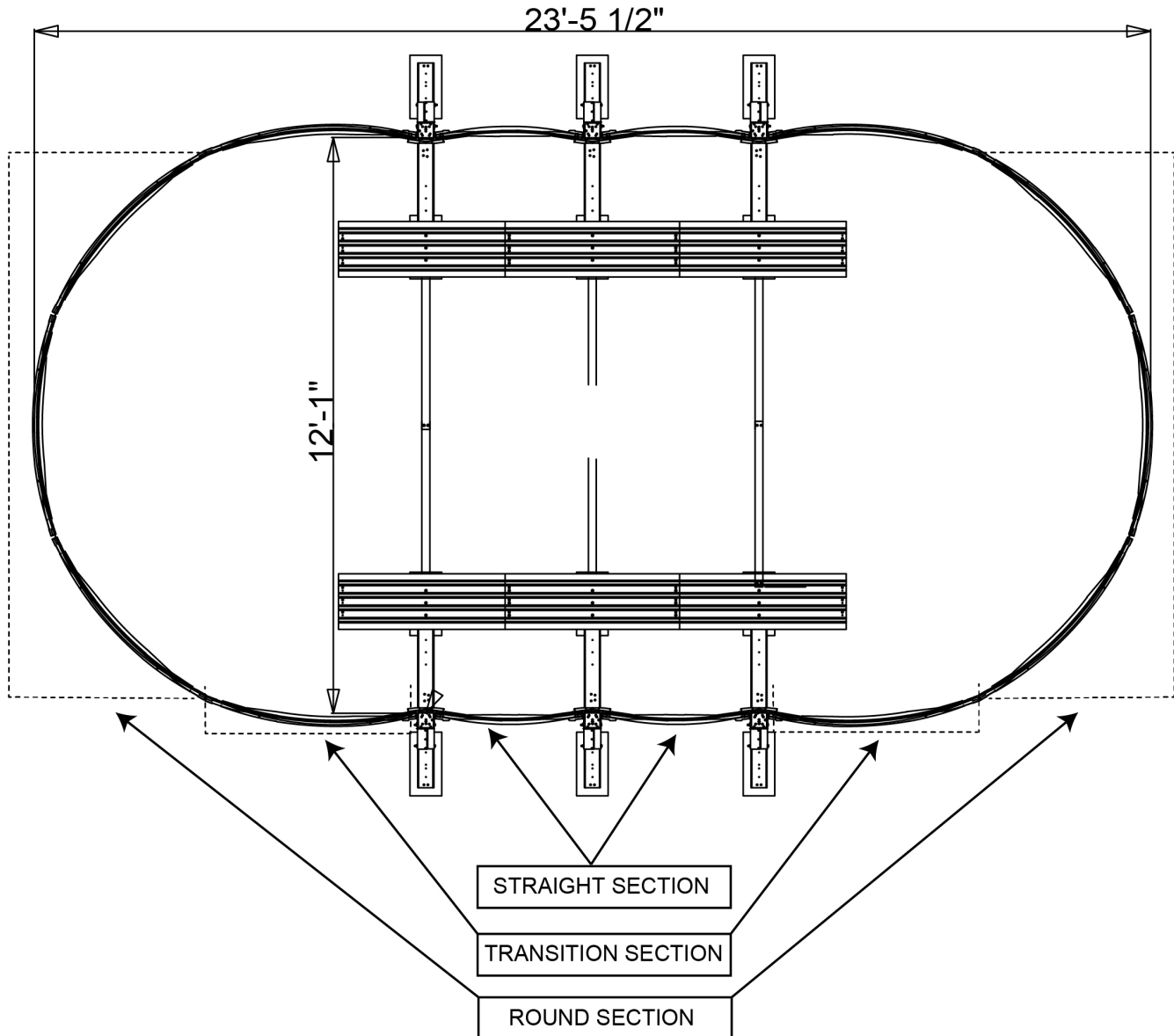


IMPORTANT NOTE :
ONLY FOR 12 X 20 AND 12 X 24
TOP LEDGE INSTALLATION

HOW TO DIFFERENTIATE THE ROUND, TRANSITION, AND STRAIGHT SECTION TOP LEDGES FOR THE 12 X 20 and 12 X 24 OVAL TOP LEDGE INSTALLATION

To install the top ledges on a 12 x 20 and 12 x 24 oval above ground pool, you will need to ensure that you are installing the correct size for each section. The diagram below is a footprint indicating the round, transition and straight section for a 12 x 24.

TOTAL OF 4 X STRAIGHT SECTION, 4 X TRANSITION SECTION, 6 X ROUND SECTION



Section
4

GENERAL INSTRUCTIONS - OVAL POOLS
ASSEMBLING THE POOL FRAME

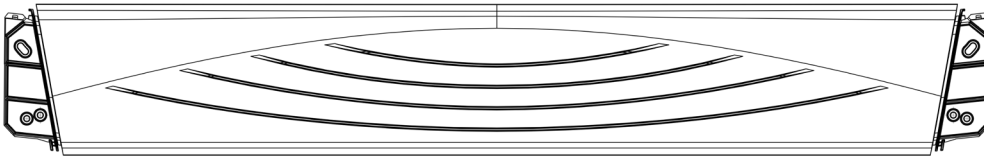


IMPORTANT NOTE :
ONLY FOR 12 X 20 AND 12 X 24
TOP LEDGE INSTALLATION

Please pay attention to the diagrams indicating each top ledge and which section they are to be installed.

STRAIGHT SECTION (PN-10141360042)

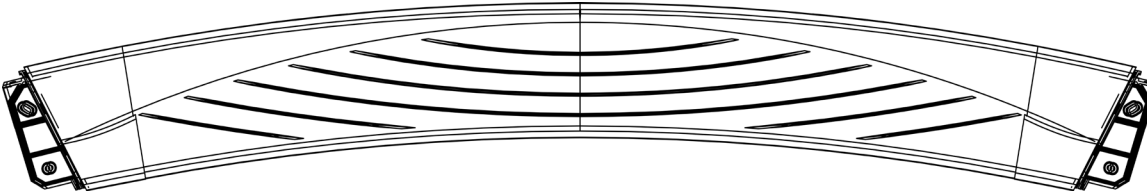
STRAIGHT SECTION



2 X FOR 12 X 20
4 X FOR 12 X 24

TRANSITION SECTION (PN-10141360000)

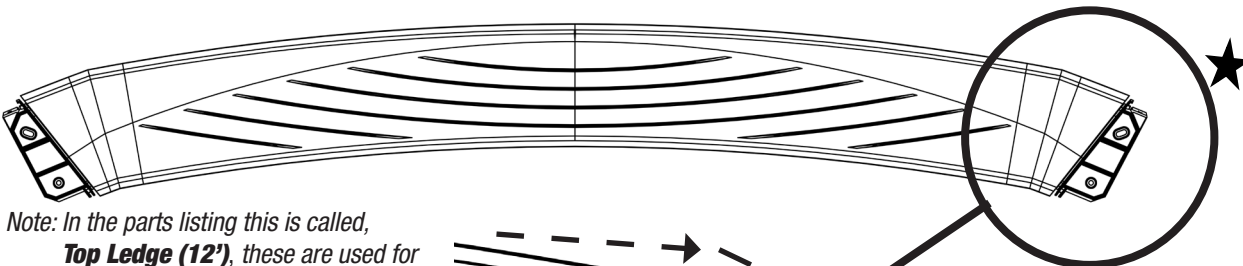
TOTAL OF 4 X TRANSITION SECTION



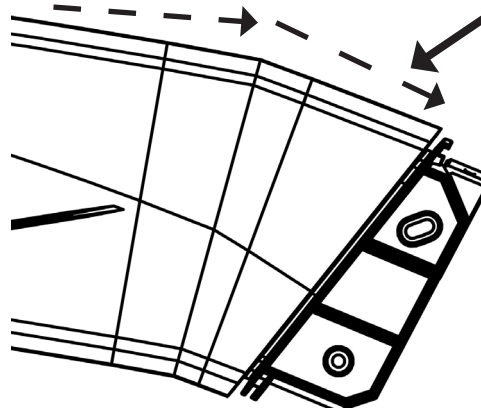
*Note: In the parts listing this is called, **Top Ledge (round section)**, but for the 12ft ovals we use these for the transition section.*

ROUND SECTION ★ (PN-10141360010)

TOTAL OF 6 X ROUND SECTION



*Note: In the parts listing this is called, **Top Ledge (12')**, these are used for the round section in 12ft ovals.*



★ **NOTE: THE ROUND SECTION TOP LEDGES HAVE AN ANGLED CURVE AT EACH END, COMPARED TO THE TRANSITION SECTION.**

Section 4

GENERAL INSTRUCTIONS - OVAL POOLS ASSEMBLING THE POOL FRAME

B. INSTALLATION OF TOP LEDGES AND LEDGE COVERS

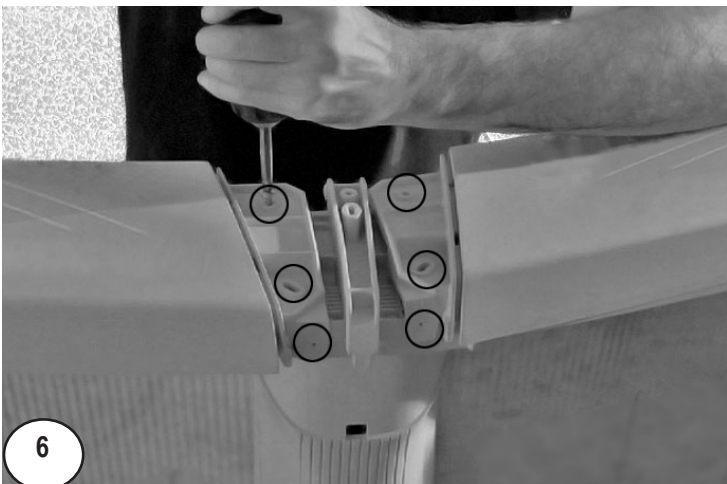
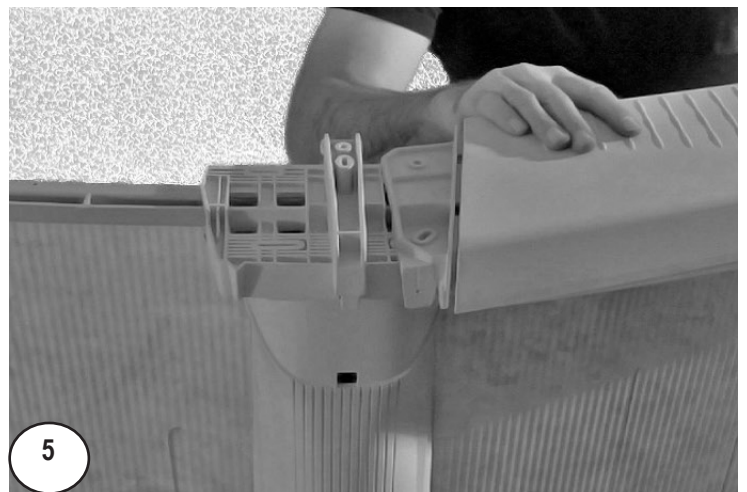
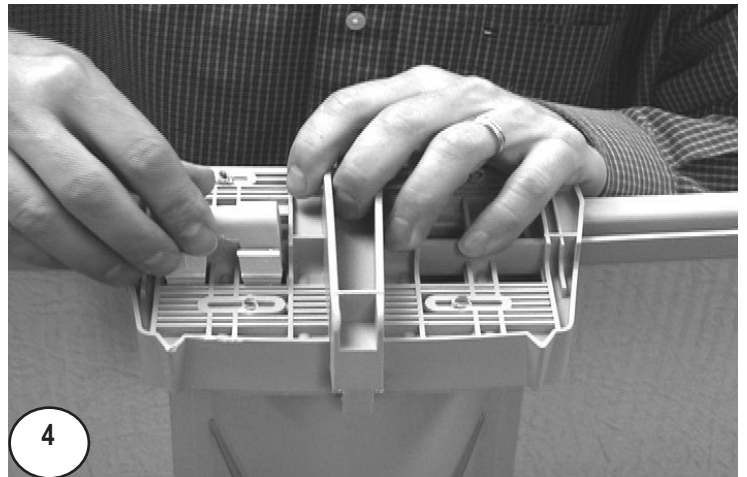
1. Install stabilizers and top plates

- a. Install the stabilizer on the wall while ensuring to leave a gap between each end. **(Image 3)**
- b. Align the upright on the wall and insert the upright clips. The upright clips snap onto the top of the upright by applying pressure thus securing the wall and the upright together. **(Image 4)**



2. Install top ledges - Round Section

- a. Position and place the top ledge on the upright. The top ledge must be pushed toward the inside part of the pool and the openings on the top ledge must align with the holes on the top of the upright. **(Image 5)**
- b. Insert partially the 3/4 inch screws (6 x V12x34) on the top. Distribute evenly the space between the top ledges to center them between the uprights. **(Image 6)**
- c. Make sure to level the two axes of the uprights by pushing slightly inwards before tightening the screws permanently.



Important Note:

Ensure to leave a gap between the two stabilizers.

See Diagram:

Please refer to your pool's footprint for gap measurement.

Section
4

GENERAL INSTRUCTIONS - OVAL POOLS
ASSEMBLING THE POOL FRAME

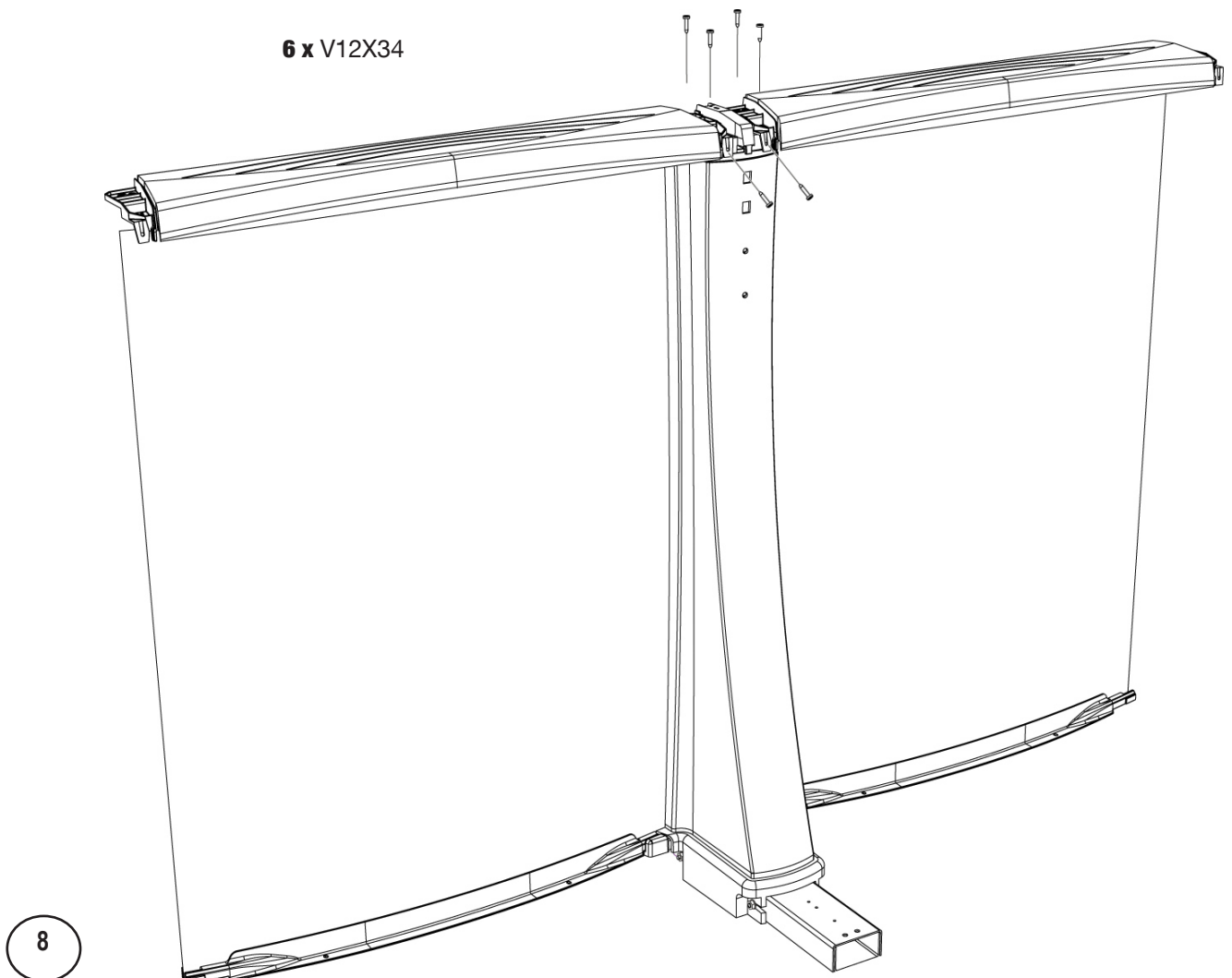
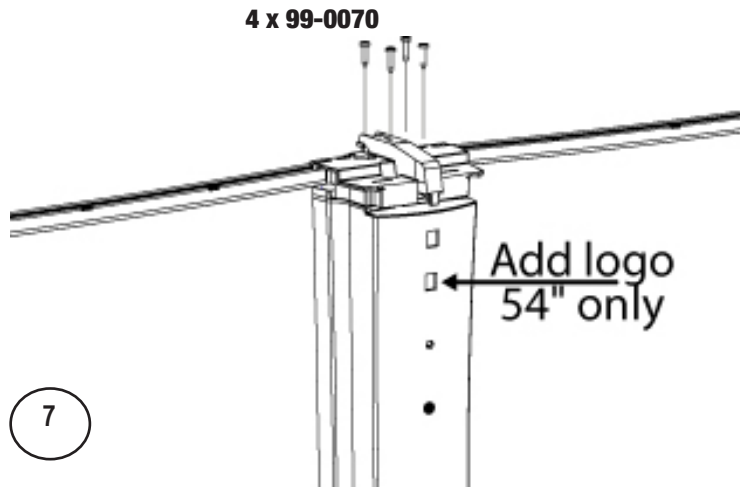
B. CONT. INSTALLATION OF TOP LEDGES AND LEDGE COVERS

3. Install top ledges - Straight Section

- a. Add resin top plates in straight section and secure with screws (4x 99-0070). *(Image 7)*
- b. Attach top ledge with screws (6 x V12X34). *(Image 8)*

NOTE: if your pool is 54 inches in height please add logo in second hole. *(Image 7)*

 **Important Note:**
We suggest that you install all the top ledges on the wall before attaching them.



Section 4

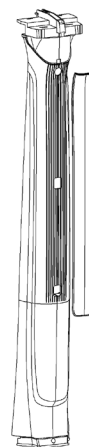
GENERAL INSTRUCTIONS - OVAL POOLS ASSEMBLING THE POOL FRAME

C. CONT. INSTALLATION OF TOP LEDGE AND LEDGE COVERS

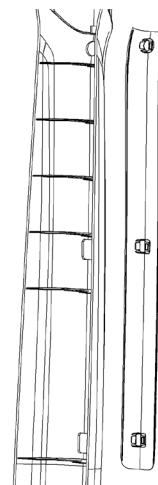
3. Install inserts on uprights

- a. Snap the decorative piece onto the upright.
(*Images 9 to 11*)

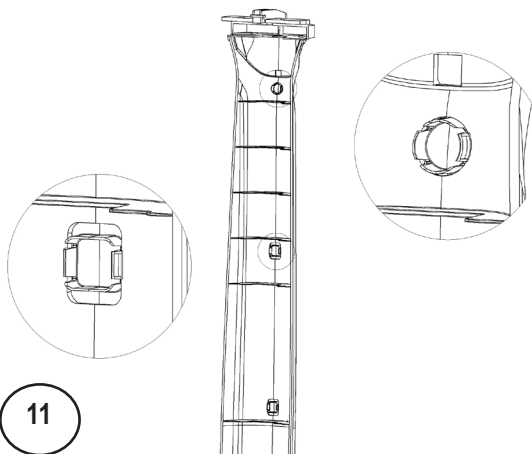
9



10



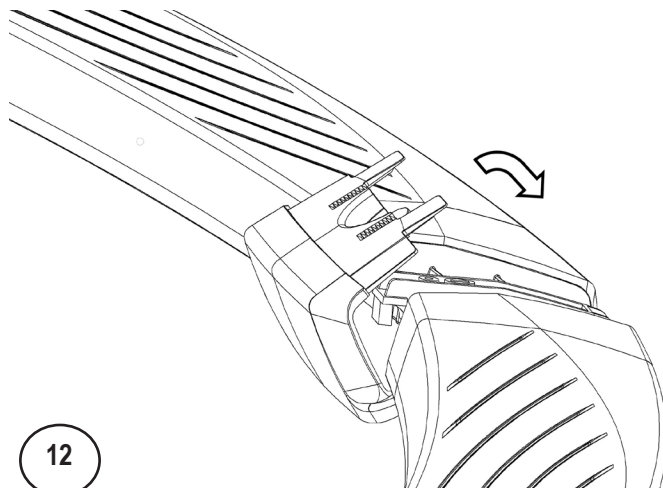
11



4. Install the ledge covers

- a. Take the rear part of the ledge cover and insert the hooks underneath the top ledge. (*Image 12*)

12

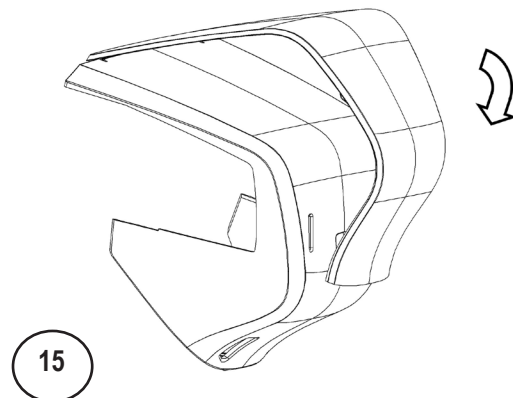
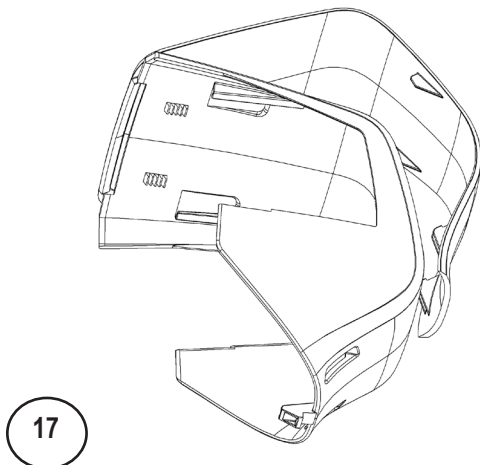
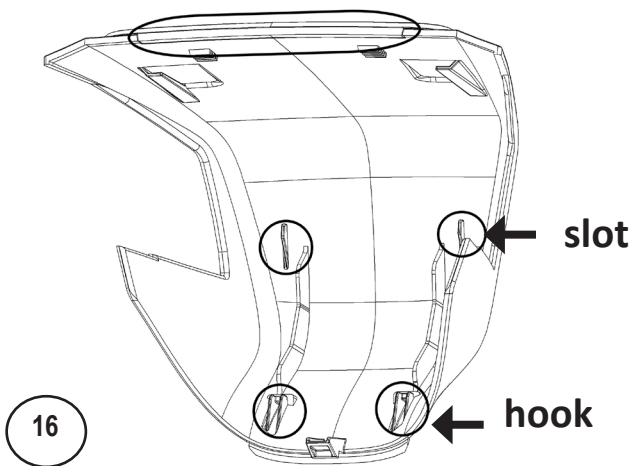
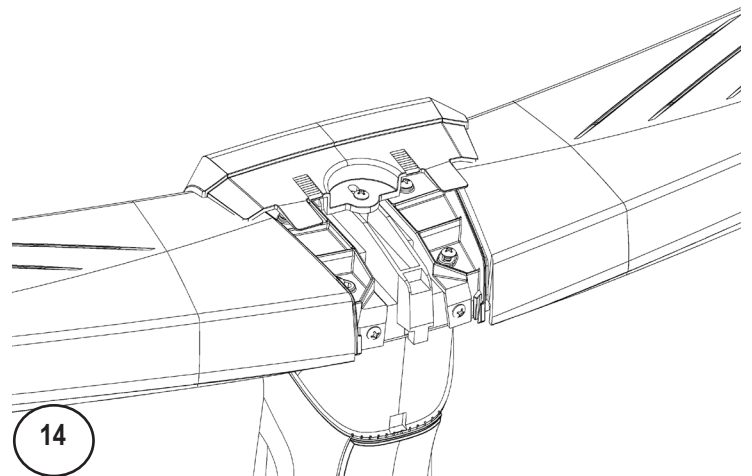
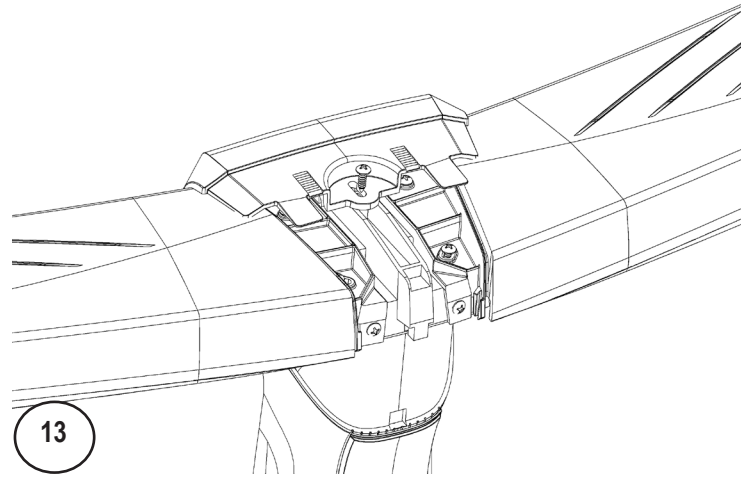


Section
4

GENERAL INSTRUCTIONS - OVAL POOLS
ASSEMBLING THE POOL FRAME

B. CONT. INSTALLATION OF TOP LEDGES AND LEDGE COVERS

- b. Secure with a #12 x 3/4 screw (*Images 13 & 14*)
- c. Insert the decorative piece on the front part of ledge cover. (*Image 15*)
- d. Snap the hooks on the ledge cover making sure the aligning tabs are inserted in the cover slots. (*Images 16 & 17*)

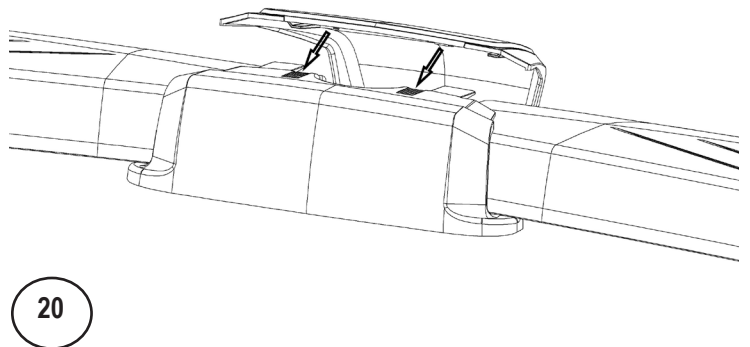
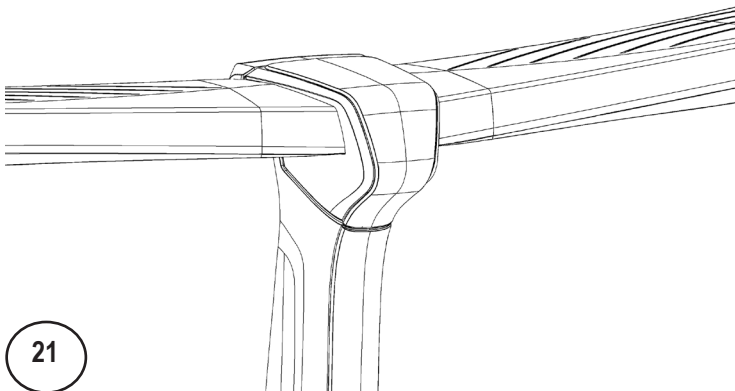
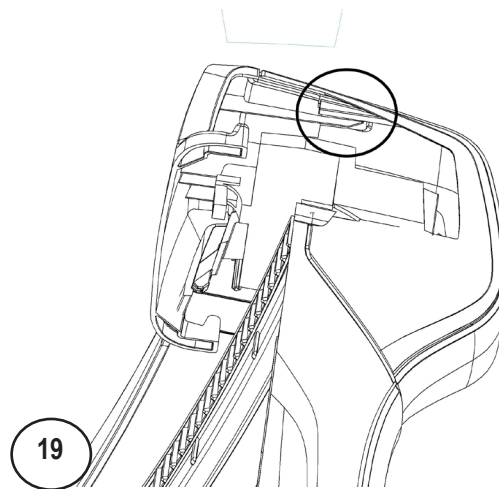
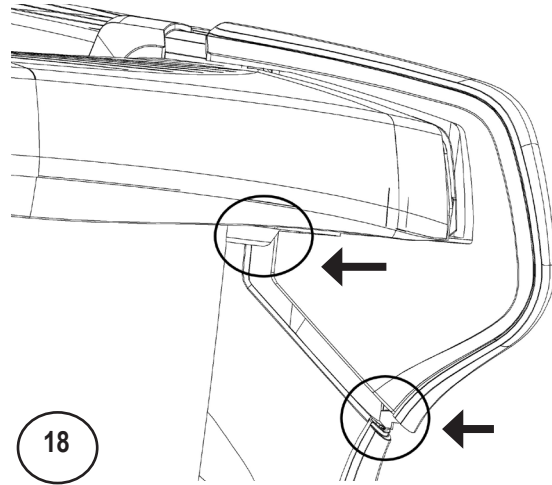


Section
4

GENERAL INSTRUCTIONS - OVAL POOLS
ASSEMBLING THE POOL FRAME

C. CONT. INSTALLATION OF TOP LEDGE AND LEDGE COVERS

- e. Insert front part of the ledge cover (with installed decorative piece) from the front making sure the hook snaps on the upright. Also make sure the sides of the ledge cover are trapped on the upright. **(Image 18)**
- f. Make sure the rear part of the ledge cover tab slides properly in the front cover slot. **(Image 19)**
- g. When inserting the front cover, the front cover teeth will grab on the rear cover. **(Image 20)**
- h. Ledge cover installed. **(Image 21)**



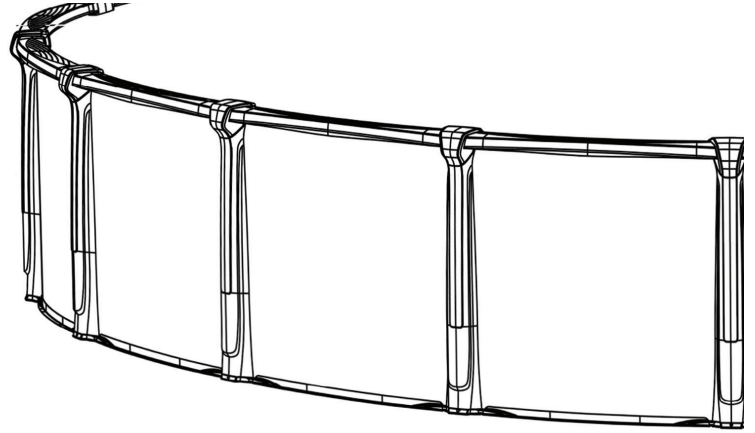
Section 4

GENERAL INSTRUCTIONS - OVAL POOLS ASSEMBLING THE POOL FRAME

D. FILL YOUR POOL WITH WATER

1. Finish filling the pool

- a. Fill the pool with water to 2" (5cm) below the lowest opening. Make sure you remove any creases from the liner in the bottom of the pool before the water level gets too high.
- b. While the pool is filling, remove the nails that were holding the bottom rails in place.
- c. Your pool is now installed. You must now install the filter and pump, the skimmer and water return inlet. Please follow the installation instructions that come with these products.



IMPORTANT:

Make sure that the round sections of your pool are round, do not assume that by filling up the pool that this will help the pool to place itself into a perfect shape. Ensure that the ends are round before filling up the pool with water.

IMPORTANT SAFETY INFORMATION:

Please refer to the safety page at the beginning of this instruction manual. You must follow the rules and information regarding placement of safety stickers on your pool.

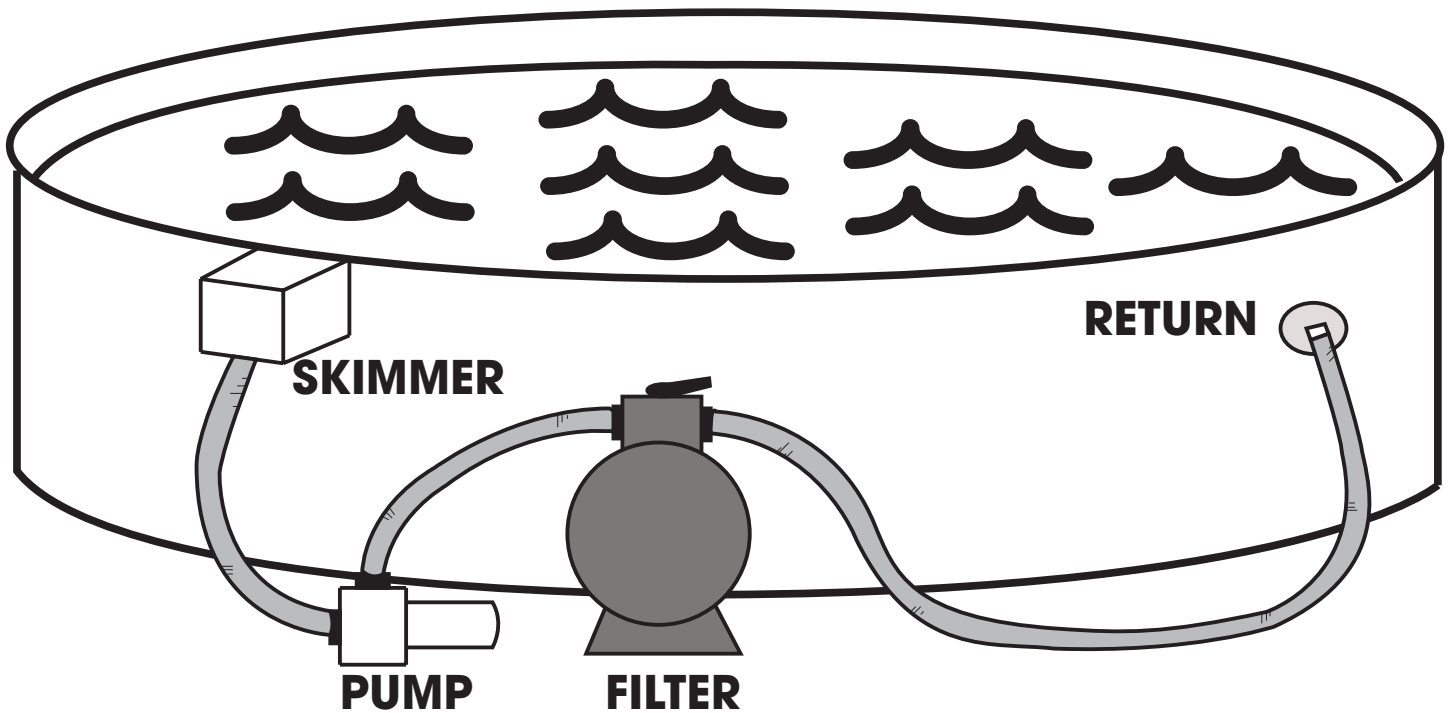
**Section
4**

**GENERAL INSTRUCTIONS - OVAL POOLS
ASSEMBLING THE POOL FRAME**

F. BASIC FLOW OF SYSTEM

1. How the system flow should look like

- a. When assembled your pool should have a basic flow system as in this image, **PLEASE CONTACT YOUR DEALER** for more specific instructions.



POOL INSPECTION

READ AND FOLLOW ALL INSTRUCTIONS

Keep your pool wall and frame clean. Always wash away any deposits of pool chemicals which land on the frame of your pool. Wash periodically with a mild soap solution (no abrasives). At least once a year use a clear non-yellowing household wax on all metal components.

Your pool and liner must be inspected regularly for leaks, corrosion, scratches, and punctures. If any problem is found IMMEDIATE CORRECTIVE ACTION MUST BE TAKEN. Small repairs and punctures in your liner may be easily repaired using repair kits available at your local dealer. Scratches on your pool wall and frame must be touched up with anti-rust enamel. Wire brush all rust and add a coat of enamel primer followed by a coat of color matching paint. Pool water is full of various caustic chemicals, which will corrode metal parts. If any corrosion is allowed to continue, failure of the pool structure may occur which could result in excessive property damage as well as bodily harm.

The skimmer, return area and below them, are particular areas that must be carefully and regularly inspected. If these areas are wet, and remain wet for any length of time, it usually means there is a small leak. Skimmer/skimmer return gaskets must be replaced when they become defective. Water must not be permitted to continually run down the wall, if neglected, the pool will break. If proper skimmer/skimmer return gasket care is not maintained, your warranty will be void!

IMPORTANT

Be sure to follow all local and state safety regulations when installing any accessory to your pool. Any decks, and all entries, must be carefully monitored for safety and access to pool. Please follow the manufacturer's guidelines for your safety.

WINTERIZING YOUR POOL

Along with the cool nights of autumn comes the end of the swimming season. During the winter your pool is subject to more stress than in the summer, and any breakage that is caused by incorrect winter procedures is not subject to any warranty with this company.

All of our pools are designed to be left up all winter, but nonetheless are subject to the warranty that was purchased. Continue to chlorinate and filter until the pool is closed down. If you follow our recommendations, you will be able to winterize your pool properly in a few hours.

Properly winterizing your pool will protect it from damages and make it easier for you to reopen it when spring arrives.

The key to fast and easy winterization lies in regular treatment of the water until the start of the cold season, even if you haven't been using the pool.

Routine maintenance becomes easier and less frequent as the water gets cooler. In order to keep the water clean and clear and to prevent the liner from staining, we recommend closing your pool as late as possible, i.e. toward the end of September when the water temperature is about 10°C (50°F).

Waiting until you have finished closing the pool before shutting off the filtration system will prevent hoses still connected from freezing.

Follow the instructions on the following pages or contact your retailer for further information to ensure that you are protecting your pool properly.

CLOSING YOUR POOL FOR WINTER

REGIONAL WINTERIZATION NOTICE

We recommend contacting your local swimming pool dealer for guidance on proper winterization and pool closing procedures, as these requirements vary based on seasonal temperature fluctuations and the region where you live.

Please note: In regions with freezing temperatures, a skimmer winterizing plate and winterizing return plug are essential to help protect your pool and prevent irreparable damage caused by ice expansion. These components must be installed from inside the pool.

The skimmer winterizing plate and winterizing return plug are not included with the swimming pool and can be purchased separately through your local pool dealer.

At the end of the season, you must follow these directions to make your pool ready for the winter. For areas where water freezes make sure to follow these instructions before the water is frozen, otherwise do not touch the frozen water, this may damage the pool.

STEP 1

PRIOR TO CLOSING

Several days prior to closing your pool, test the water for the pH level, total alkalinity, and chlorine. The water balance is important to protect the pool from corrosion or scale build-up during winter shut down.

STEP 2

PERFORM A COMPLETE INSPECTION

FINDING LEAKS

Towards the end of the summer season, check for leaks by verifying if the pool's water level is stable. Draw a line on the liner marking the water level and wait 10 days. If after 10 days the level has dropped, then there is a leak. It is important to seal off any leaks you find. Leaks left unsealed when freezing begins can seriously damage your pool and even cause it to collapse.

Vacuum carefully to remove all leaves and debris.

CHECK THE LINER

Make sure the top of the liner is still attached to the pool wall. Make sure there are no leaks. Repair any liner holes with a vinyl patch: any small punctures in the liner can be easily repaired with underwater repair kits available at your local retailer. Do not remove the liner from the pool, as removal of the liner will void the existing warranty.

CHECK ALL JOINTS AND SCREWS

Make sure all the frame joints are fitting together properly and make sure the pool wall has not shifted from the bottom rail. Ensure all screws and bolts are tight.

CHECK FOR RUST

Periodically inspect the metal parts for any corrosion especially around the skimmer area. If corrosion is found, immediate corrective action must be taken. Wire brush any rust and add a coat of enamel primer followed by a coat of color matching anti-rust enamel paint. Pool structure failure could result in major property damage and bodily harm. Paint any scratches with anti-rust paint.

STEP 3

ADD CLOSING CHEMICALS

To maintain water quality, use a winter kit which contains an algicide and chlorine especially designed for this purpose. When it's time for spring cleaning, this will save you hours of work and reduce the cost of chemicals needed to restore your water quality.

If your pool has a bottom drain, you will have to use pool antifreeze to prevent it from freezing during the winter. Unscrew the hose from the base of the skimmer and attach an extension. Pass the extension over the wall of the pool, making sure it remains well attached. Pour antifreeze into the extension. Leave the valve open so that water can drain from the skimmer.

STEP 4

LOWER THE WATER LEVEL

Lower the water level so as to leave between 6 to 20 inches (15cm to 50cm) below the water return. You may plug the return jet hole at this time. ****IMPORTANT**DO NOT PLUG THE SKIMMER DRAIN HOLE** (located at the base of the skimmer). Remove all hoses attached to the skimmer and return fittings. Do not let water freeze in the skimmer. Leave the skimmer attached to the pool wall and ensure that the skimmer lid is installed. **DO NOT DRAIN ALL THE WATER OUT OF THE POOL.**

REMINDER: See the Regional Winterization Notice at the beginning of this section under Closing your pool for winter.

Depending on your area and if the freezing point is more aggressive, for example 50% is frozen into ice, we strongly suggest to lowering the water to lowest point. Depending on how great the deep freeze is in your area we suggest you consult with your local dealer about procedures on lowering the water level throughout the winter. We also suggest throughout the autumn season to continually check this level before freezing season starts, as it must not reach the skimmer holes at any time during the winter. Remove any snow which may accumulate on the top ledges.

STEP 5

FILTRATION PREPARATION

Disconnect the hoses from the filter. Remove and store the filter, ladder and all other removable parts from around the pool. The filter should be clear of any foreign objects and water should be removed from the filter and pump. See the manufacturer's instructions. Store the pump in a temperature controlled environment (so that it is not damaged by changes in temperature).

STEP 6

WINTER COVER

For the winter cover we suggest to lower the water level to 1 inch (2.5cm) below the water return. In some areas your dealer may ask you to install it differently in order to protect the pool and the cover. Contact your local dealer to verify the correct procedure for your pool.

If using a winter cover, make sure to place a ball underneath so that rainwater falls into the pool. An accumulation of too much water on the cover could place pressure on the pool, causing damage and invalidating the warranty. Depending on how great the deep freeze is in your area we suggest you consult with your local dealer about procedures on leaving the pool cover throughout the winter.

IMPORTANT

Never let more than 30 cm (1') of snow accumulate on the pool wall; the wall is designed to support the lateral pressure of the pool water, not vertical pressure. With spring thaw, if water leaks from the skimmer or return outlet opening, place a tube at the opening so that the water will run off as far away from the basin of the pool as possible. **PLEASE NOTE:** Do not strike or hit a frozen pool. This would damage it. Do not disturb the pool till spring. If you have left the winter cover on the pool, make sure to remove accumulated snow after heavy snowfalls.

IMPORTANT

Whatever the type of valve or extension hose used, you must follow the technique described in this document to close your pool, otherwise your warranty may be cancelled. Make sure to use antifreeze designed for pools.

An unsealed leak may comprise or cancel the warranty on your pool. Never leave water in any of the filtration system components due to the risk of damage during freezing.

PREPARING YOUR POOL IN SPRING

READ ALL INSTRUCTIONS CAREFULLY

At the end of winter, allow the ice in the pool to thaw completely. When the temperature reaches approximately 10 °C (50 °F), you have to restart your filtration system, since algae and bacterial form more quickly as it gets warmer. Here is how to prepare your pool in a few simple easy steps.

STEP 1

If your pool is equipped with a pool cover, remove the cover and ball. Carefully remove with a hose any rainwater that has accumulated on the cover so it does not fall into your pool. Clean your cover and ball and let them dry. Store them in a dry clean place.

STEP 2

Attach the return inlet and skimmer to the filter. Bring the water level up to the middle of the skimmer. Get your filter working. Clean the bottom of the pool with the vacuum, taking care to place the filter in the "waste/drain" position. This way you will eliminate particles of dirt without disturbing the sand in the filter, and will considerably reduce the need for "backwash rinsing" of the filter.

STEP 3

Now that you have purified the water, you have to test it. It is very important that the pH level of your pool is between 7.6 and 7.8 and the pool's alkaline content is between 80 ppm and 130 ppm. If you are unable to attain these levels, please contact your retailer who will gladly do these tests for you.

STEP 4

When the pH and alkaline levels are ideal, apply a shock-treatment or chlorinate your water. Let it filter for 24 hours and again verify both the pH and free chlorine levels. **NOTE:** Add chemical products to your pool after sunset, as sunlight rapidly destroys chlorine.

STEP 5

Let it filter for several days until the water is clear and the pH and free chlorine levels have stabilized. Add a conditioner/stabilizer by carefully following the manufacturer's instructions. This will stop the chlorine from evaporating quickly in sunlight. Add the quantity of algicide required to prevent algae.

STEP 6

You may now begin regular maintenance of your pool. Don't forget to obtain a new set of solutions for your water analysis kit every spring. The old solutions may give false results.

STEP 7

Make sure that the skimmer (screws and adapter) is properly in place and tighten the water return fittings to prevent leakage and premature rusting of the pool wall or the lower part of the bottom rail.

IMPORTANT

Do not drain your pool to clean the water unless absolutely necessary (the water is recyclable). If you do empty your pool, don't leave it empty for too long or expose it to direct sunlight, as the liner may shrink.

IF YOU FOLLOW THESE TIPS AND ASK YOUR DEALER FOR ANY OTHER ADVICE YOU MAY NEED, YOU WILL HAVE ALL THE INFORMATION NECESSARY TO GET YOUR POOL OPERATING AGAIN.

360

WORRY-FREE WARRANTY

360 WORRY-FREE WARRANTY

COVERAGE INCLUDES;

- *The complete pool structure for the life of the pool*
- *Protection from corrosion and all backyard chemicals*
- *Pools installed below grade level*

360

WARRANTY

AND CONSUMER SUPPORT PROGRAM



Thank you for choosing Sunsport. We are the leading North American manufacturer of above ground pools. We pride ourselves on our attention to the details that distinguish our products in the marketplace. Our commitment to inspired design and consistent quality are unmatched in the industry. We are confident that your new pool will provide many years of family fun and entertainment.

Sunsport warrants the complete Pool structure to be free from defects in factory workmanship and material under normal use and care for the life of the pool, and will, at its option, replace or repair any parts subject to the terms of the warranty schedule and subject to the Terms, Conditions and Exclusions set forth below. This warranty is transferable in the event of a new property owner.

WARRANTY SCHEDULE AND CUSTOMER CARE SCHEDULE SUPPLIED BY YOUR Sunsport DEALER.

IMPORTANT NOTICE - PLEASE READ

NEVER permit diving, jumping or horseplay in or around your swimming pool.

Diving or jumping into shallow water, such as the depth of your pool, can result in serious injuries, paralysis, and death.

Your swimming pool is not designed for diving or jumping. Serious or fatal injuries can result. Always supervise activities in and around your pool to ensure safe swim practices. Safety labels are included with your pool and should be displayed as instructed. If they fade, discolor or become damaged, new labels can be supplied free of charge by contacting our warranty department. Visit The Association of Pool and Spa Professionals website at www.apsp.org for important pool safety tips.

SWIM SAFELY

Terms & Conditions

1. Your purchase **MUST** be registered within 30 days of purchase at www.mypoolwarranty.com.
2. If the warranty is claimed within the first year of purchase, the shipping and handling charges will be covered at 100%. After the first year, the claimant will be responsible for all shipping and handling charges related to defective and replacement components. Parts under claim may be requested if the submitted pictures do not adequately represent the claim, or if physical testing of parts is required to validate a claim.
3. This warranty coverage remains in effect on a properly installed and maintained pool, which excludes wall failures due to improperly installed skimmer gaskets or leaking from improperly installed skimmers.
4. Sunsport does not warrant the liner or any other maintenance equipment or accessories sold by the third party.
5. No incidental, consequential, or other damage claims will be paid. Failure of the purchaser to allow the local retailer and service center and/or manufacturer to inspect the claimed defective product (at local retailer and service center and/or manufacturer's business location), shall render this warranty null and void.

Making a Claim

1. To initiate a claim under this warranty, the purchaser must first contact the Sunsport Dealer from whom the product was purchased.

Your Sunsport Dealer where the pool was purchased is authorized to correct legitimate manufacturing-related defects. Additionally, the local retailer and service center have the authority to determine, beyond a reasonable doubt, that the defect is one created by the manufacturer and, if applicable, will inform the customer of repairs required to correct the defect, whether by repair or replacement. Sunsport has confidence that the local retailer and service center used an authorized installer to ensure proper installation, and that proper care and maintenance were performed according to manufacturer's instructions.

2. If the local retailer and service center are unable to confirm the claimed defect, the customer must promptly notify Sunsport, in writing, of any anomalies, imperfections or peculiarities that could indicate a possible manufacturing defect. A warranty claim must be accompanied by the bill of sale and a minimum of 6 pictures that clearly identify the suspected defect. A picture of the skimmer area on the outside of the pool is required, regardless of the nature of the suspected defect. If a suspected defect is not able to be determined by the Retailer of Sunsport, the purchaser must bear the expense of cleaning, packaging and shipping the part or parts to Sunsport after receiving prior authorization from Sunsport warranty department for inspection and determination of resolution.

360

WARRANTY

AND CONSUMER SUPPORT PROGRAM



**REFER TO THE POOL INSTRUCTION
MANUAL FOR ADDITIONAL
POOL MAINTENANCE
INSTRUCTIONS**

What is not covered

1. Damages resulting from accident, misuse, fire, water, storm, improper installation, modification or alteration, or use of unauthorized parts.
2. Wear resulting from the normal life expectancy and routine use of the pool components.
3. Scratches that result from normal wear and the normal behavior of the materials, and which are not damaged, that justify replacing some or all of the pool frame parts or wall.
4. Damage caused due to accumulation of snow and ice causing structural failure of the pool.
5. Deterioration of the pool or its foundation due to existing and/or developing tree roots.
6. Deterioration due to stumps or other objects in the ground.
7. Damage caused by sand bottom that has bumps, holes, or furrows created by ants, termites, worms, moles or any animal.
8. Damage caused by the pressure exerted by the winter cover or its fastening system.
9. Damage caused by water level dropping over the winter due to cuts or tears to the liner.

Other Factors

1. Sunsport cannot be responsible for damages to the components caused by the purchaser or the installer. Sunsport has no affiliation with any installer. Installation should be performed either by the local retailer and service center or an authorized installer chosen by the dealer.
2. The pool must be installed and maintained according to manufacturer's instructions provided with the pool at the time of purchase. Failure to do so may void the warranty.
3. Modifications made to the pool design and any of the components, in whole or in part, contrary to the manufacturer's instructions, render the warranty null and void.
4. The warranty covers only the original components of the pool frame and wall.
5. Damage resulting from pieces of equipment furnished and installed by the customer that impede or interfere with the normal operation of the pool.
6. Leaving the pool empty will void this warranty.
7. Damage beneath the skimmer, which includes the skimmer opening and round return opening, are specifically not warranted. Refer to the skimmer maintenance instructions and the pool installation instructions.
8. Damage resulting from icing inside the skimmer opening.
9. Damage resulting from an installation performed by the customer and/or the customer's agents that fail to comply with all local codes.

Care and Maintenance

1. **Never allow your pool to stand empty.**
2. **Prepare your pool for winter correctly by strictly adhering to manufacturer's instructions. Make sure all leaks have been repaired to eliminate the possibility of shifting ice and/or liner displacement that can result in damage to your pool. Clean all metal components.**
3. **Do not use a "Gizmo" on your pool as this can cause structural failure of the pool and is not covered under the warranty.**
4. **Promptly and completely remove all accumulations of snow and ice from the top of the pool to avoid structural failure of the pool.**
5. **Check for leaks around the skimmer and return hose on a monthly basis and repair as necessary.**
6. **Check your water chemistry at your local pool dealer where the pool was purchased and follow recommended schedule of water checks. The use of any additive that is not recommended, or in amounts that are not recommended by manufacturer, retailer or service center, may void your warranty.**
7. **Keep your pool clean. Use pool cleaners as recommended by your pool dealer to keep the structure and wall of your pool looking new for many years of enjoyment.**